

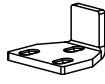


VALCOMP
by MANTION

SILENT-STOP 321-053



x2



x2



x1



St 4,2x25

x6



M5x6

x4



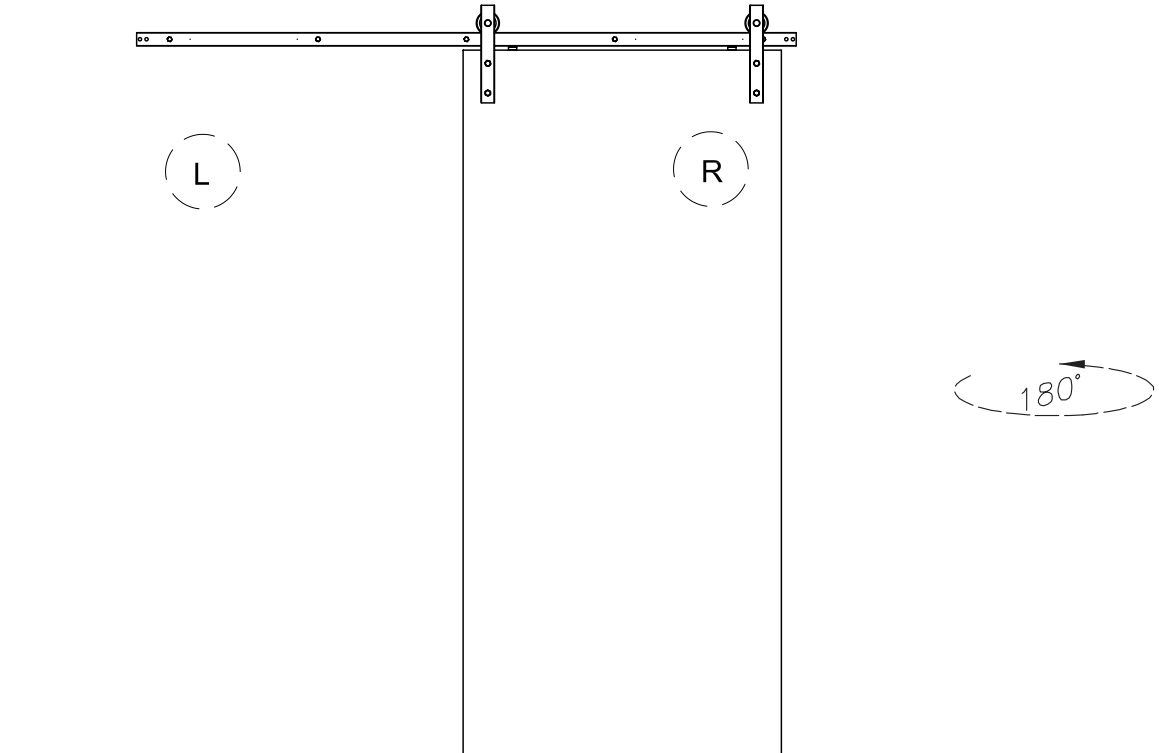
Ø5

x4

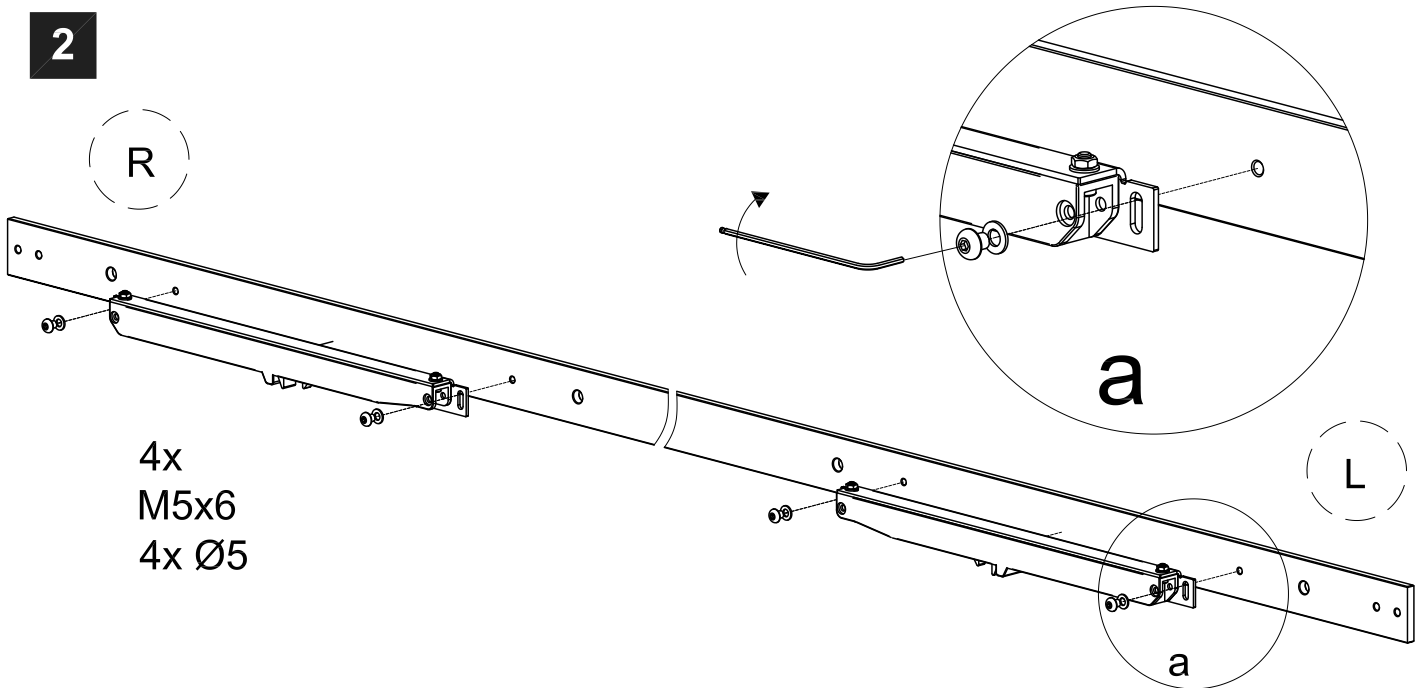


60
KG

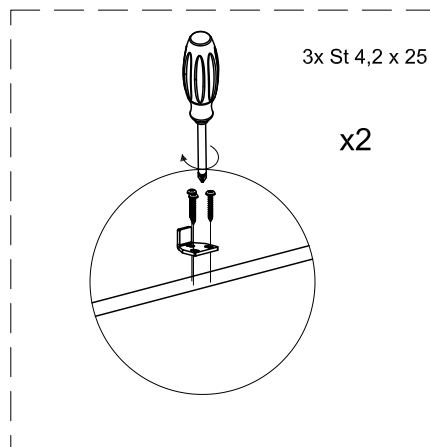
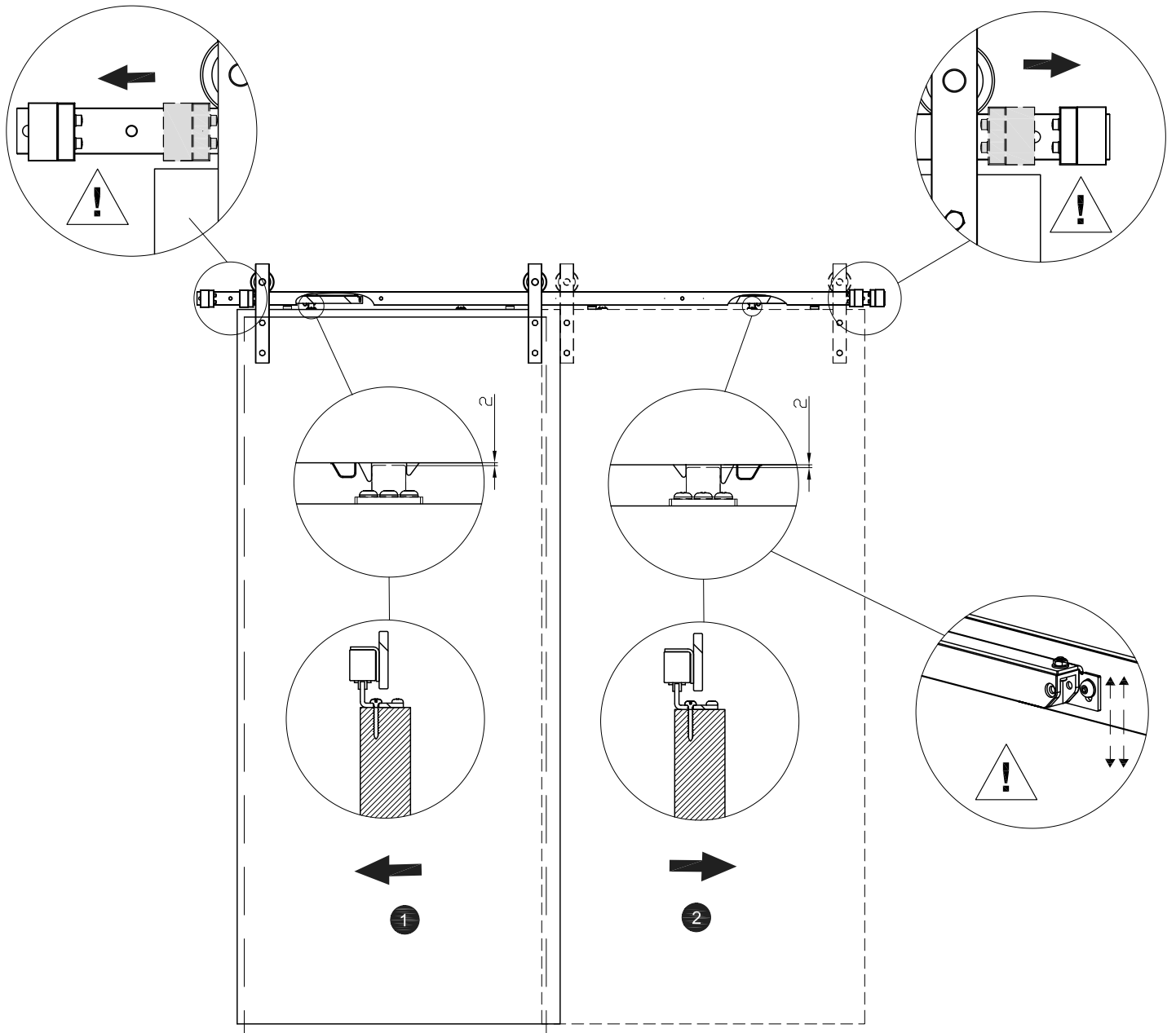
1



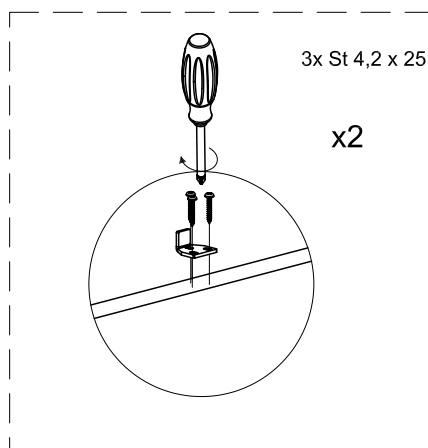
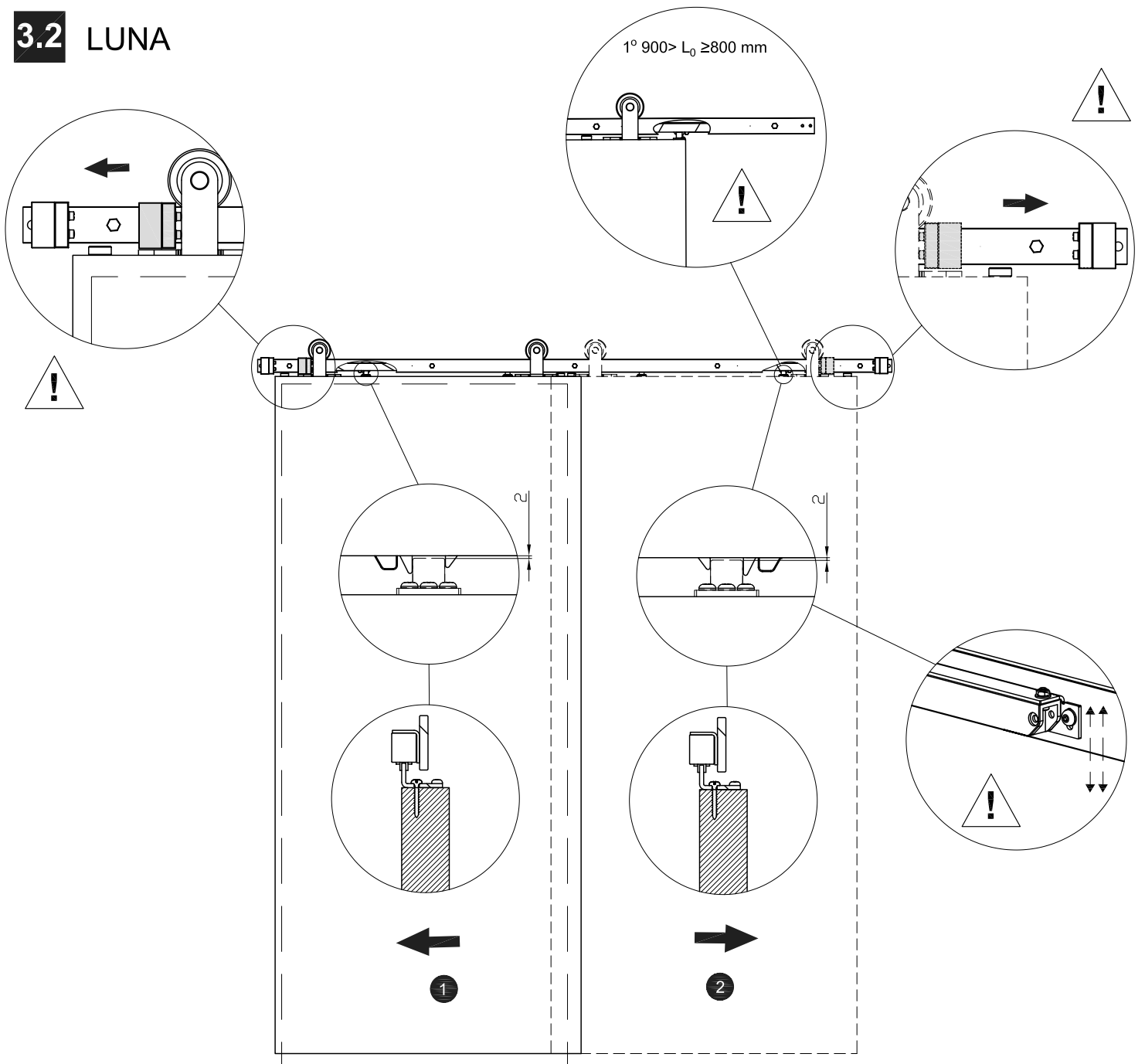
2



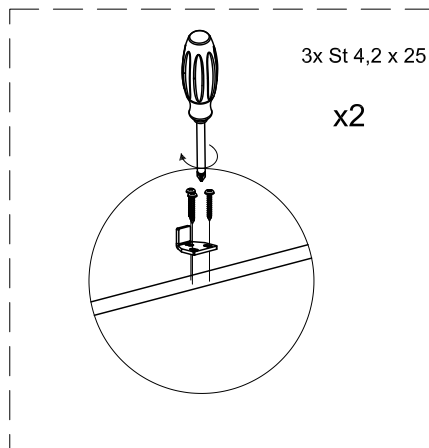
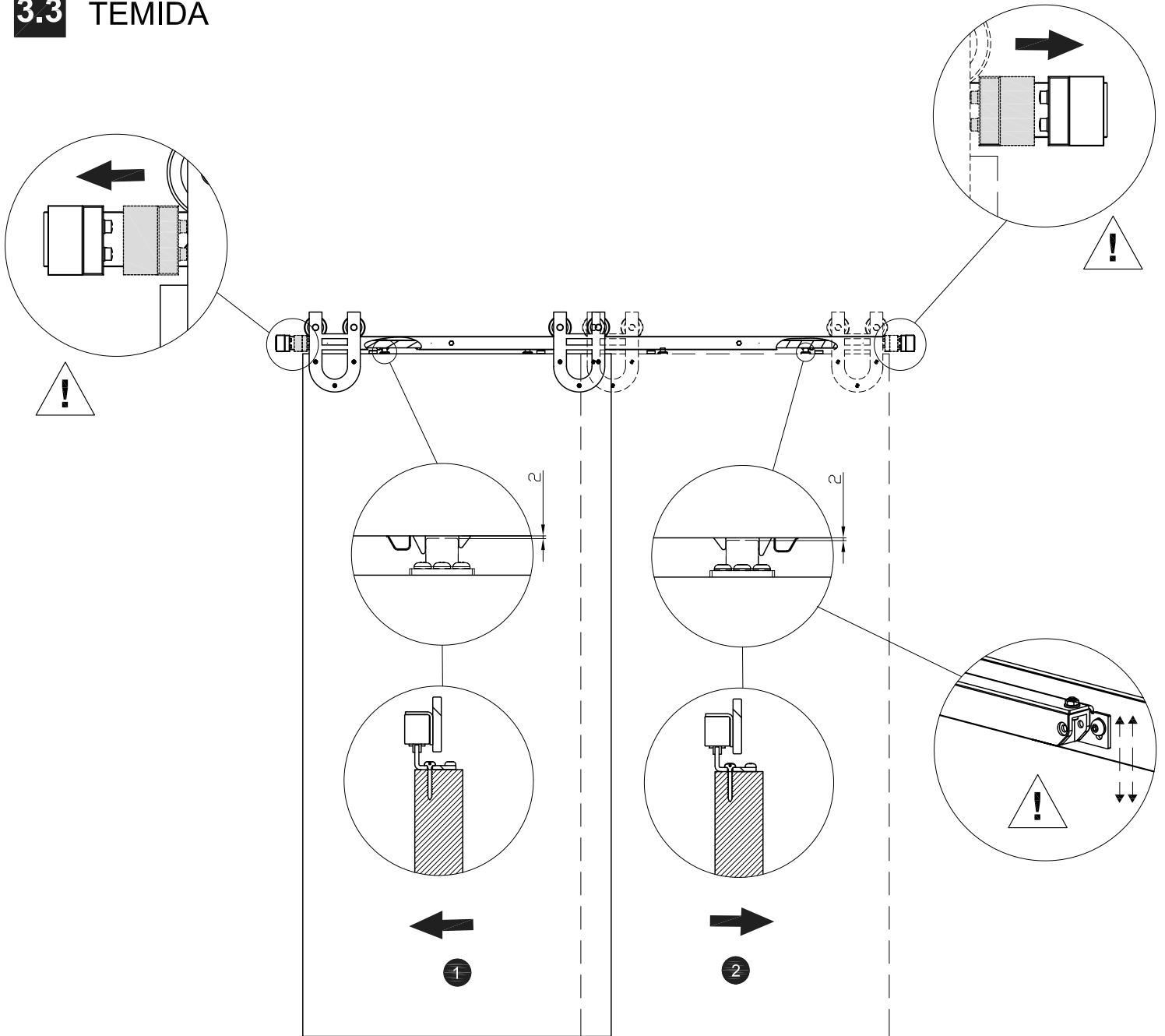
3.1 REA



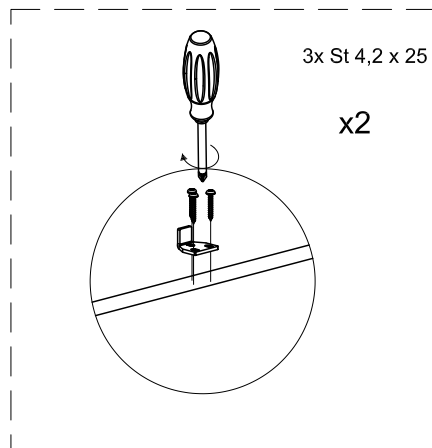
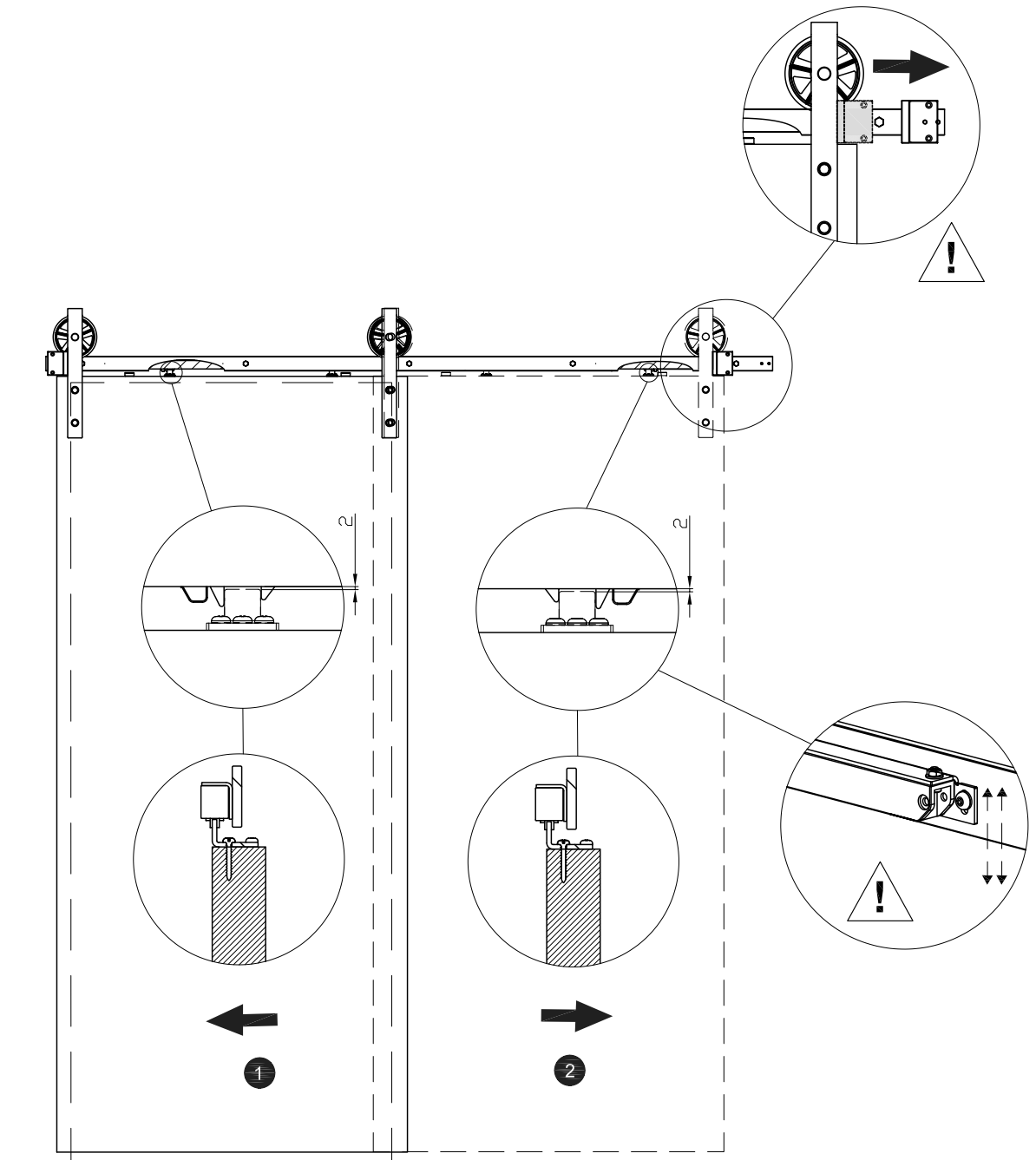
3.2 LUNA

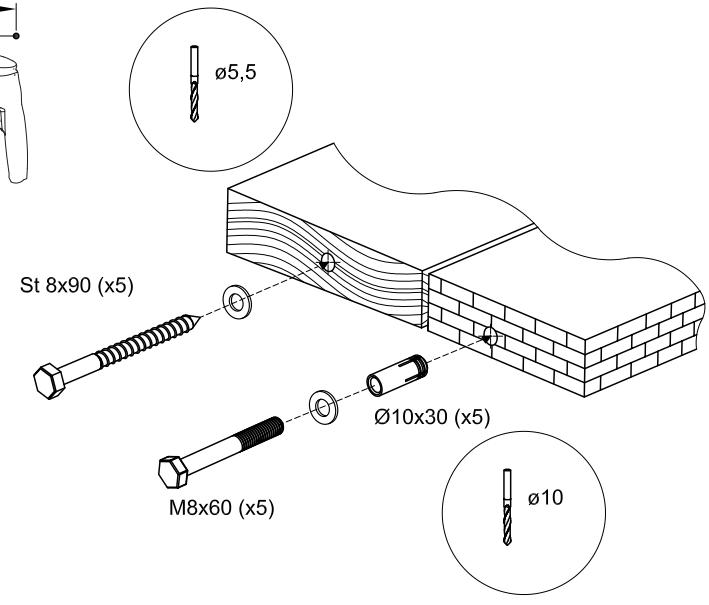
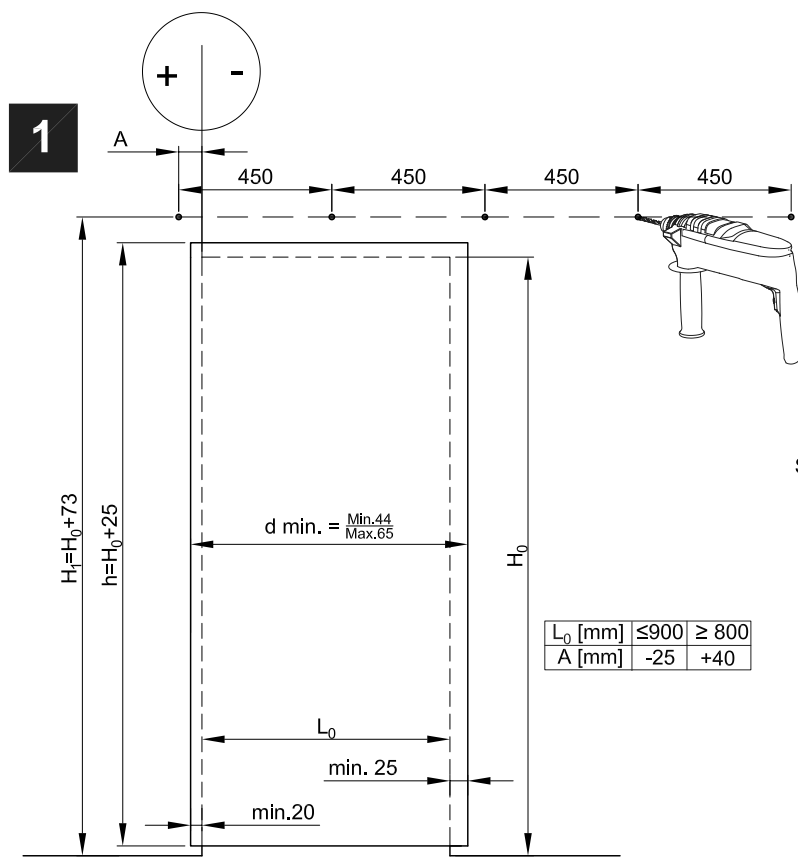
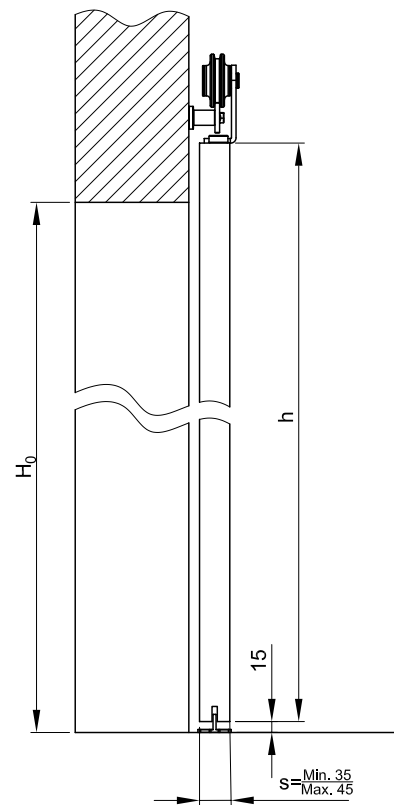
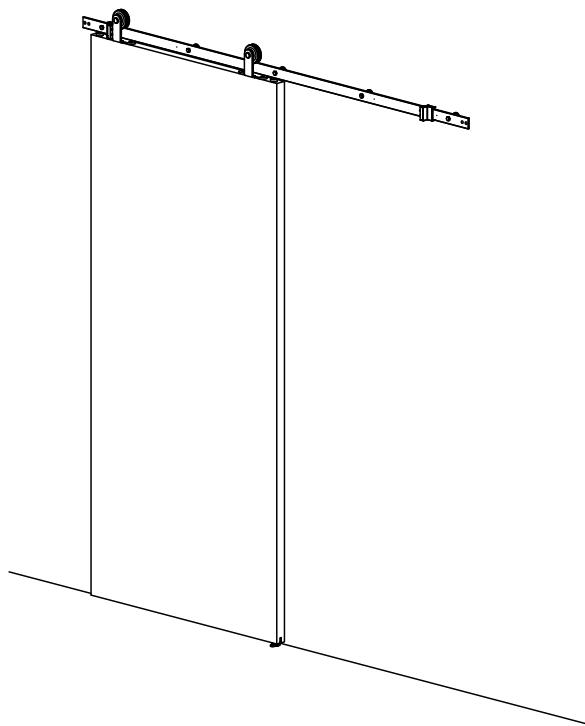
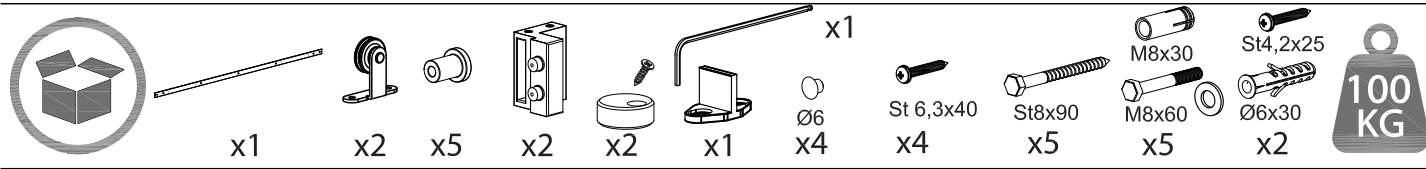


3.3 TEMIDA

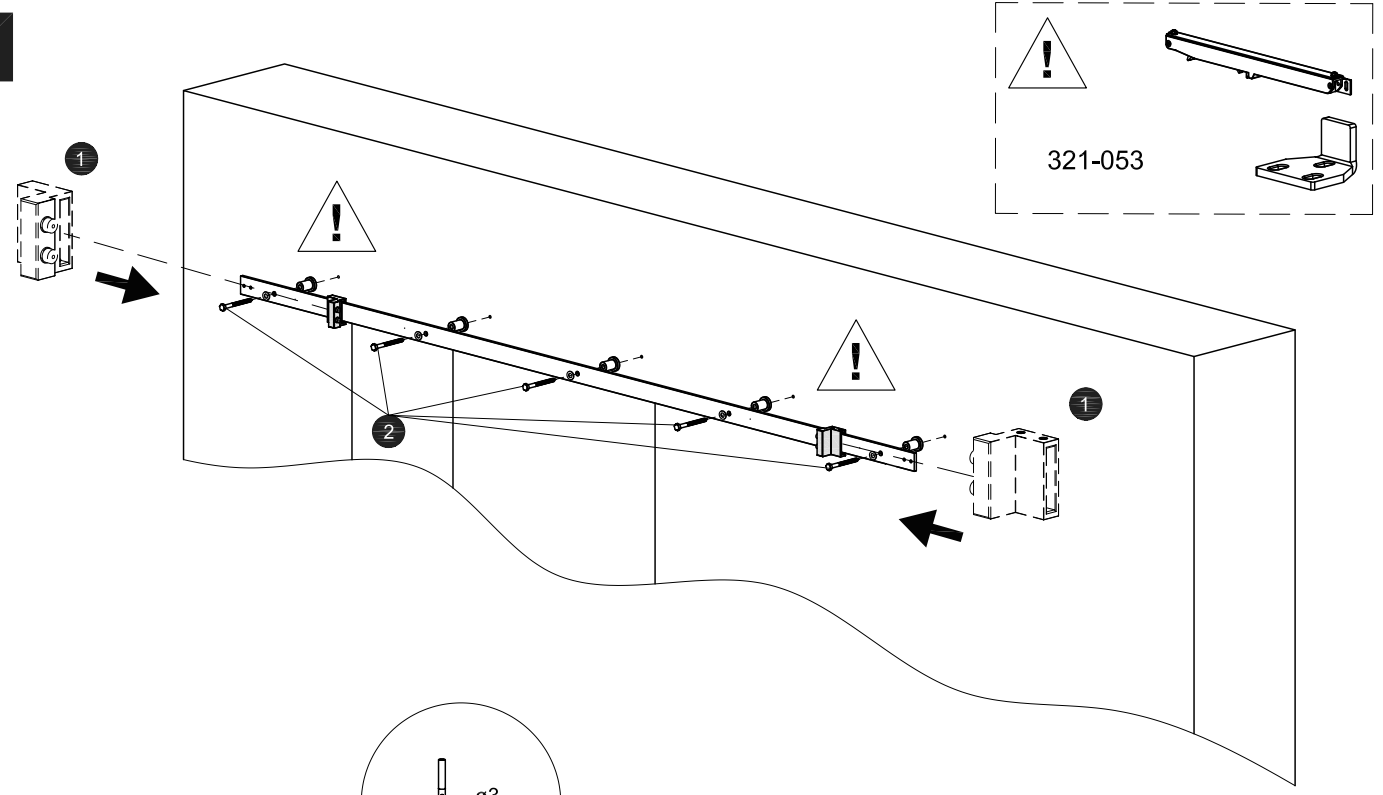


3.4 IZYDA

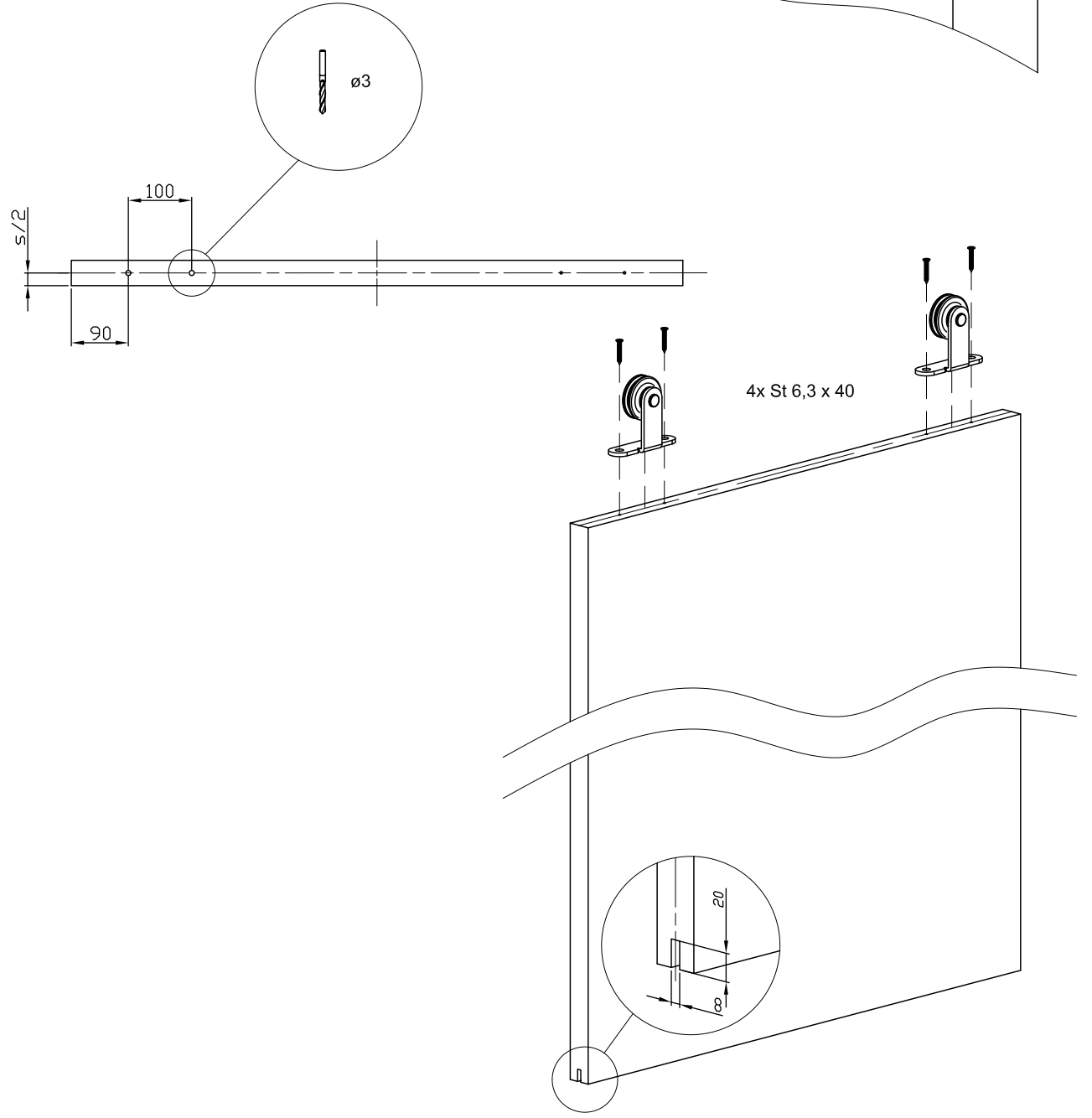




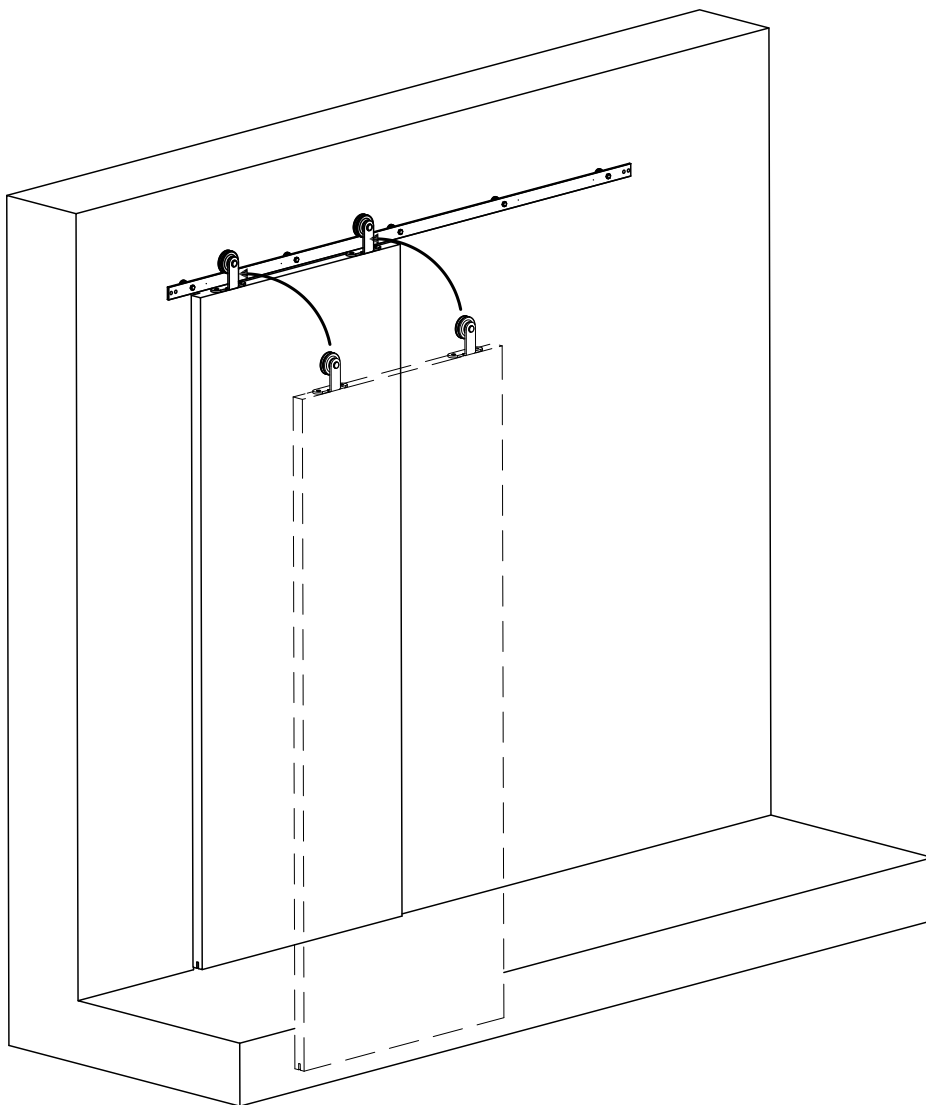
2



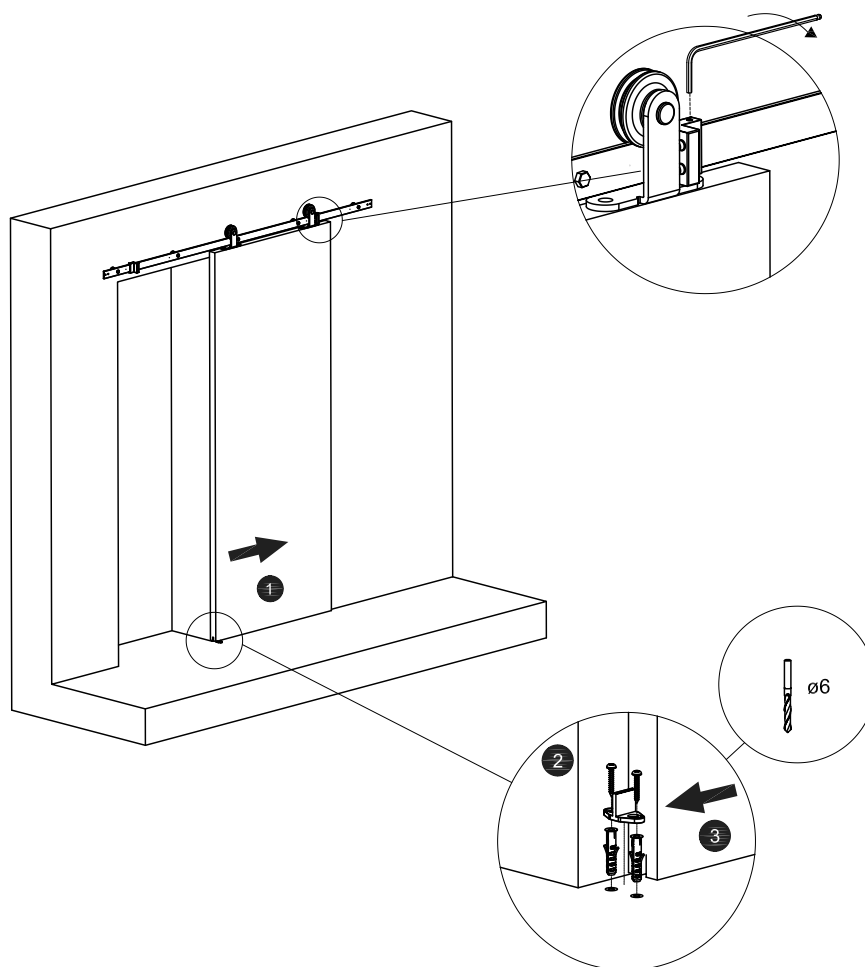
3



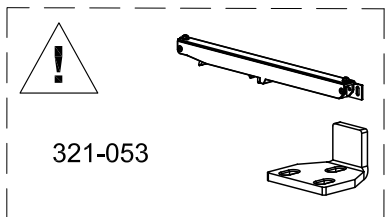
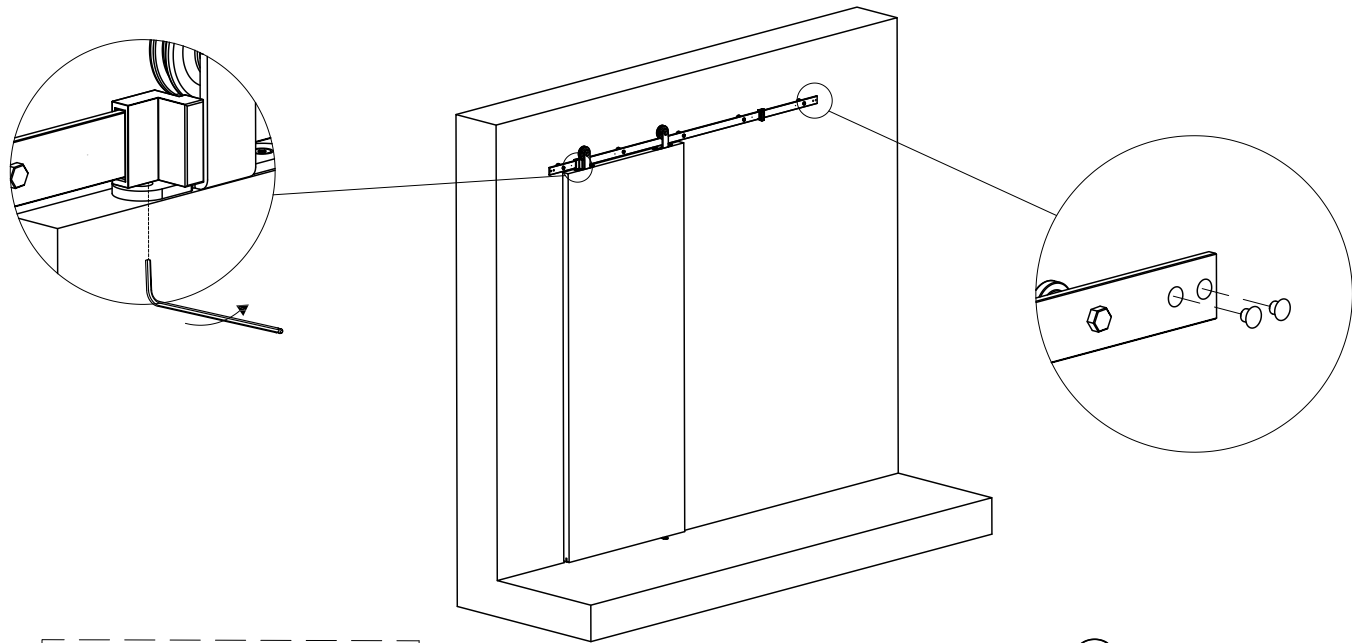
4



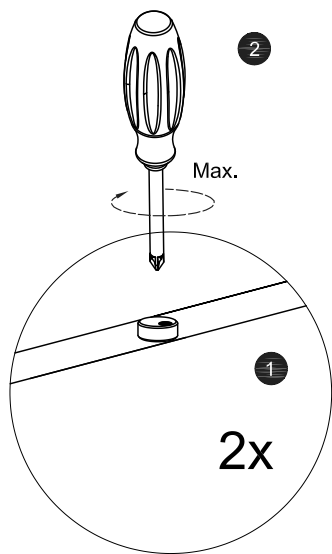
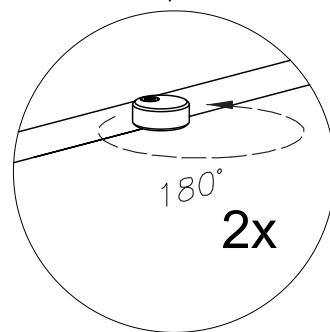
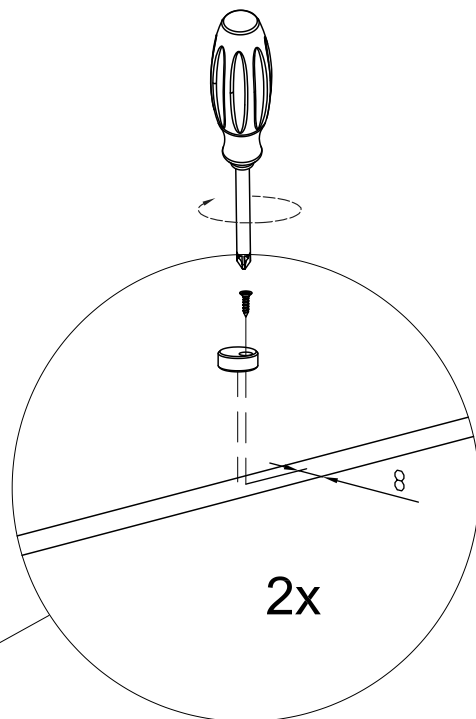
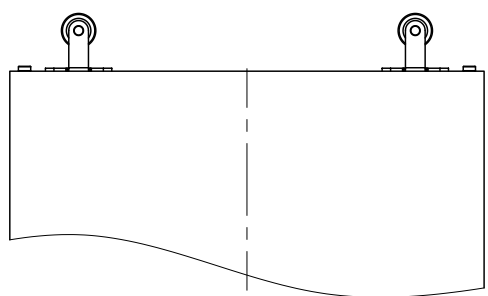
5



6

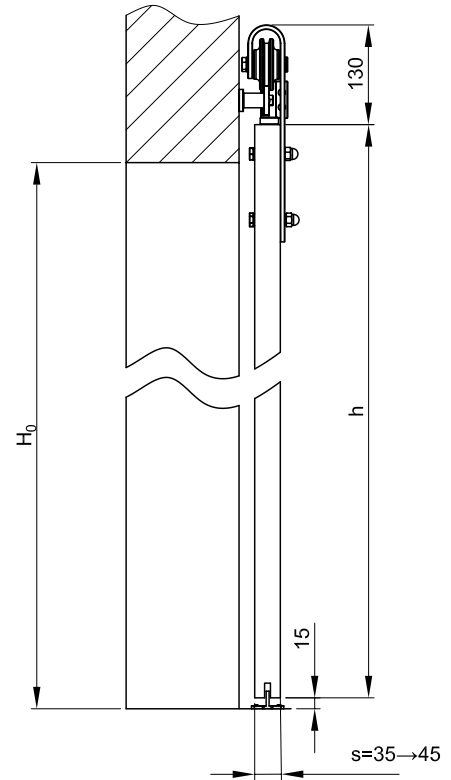
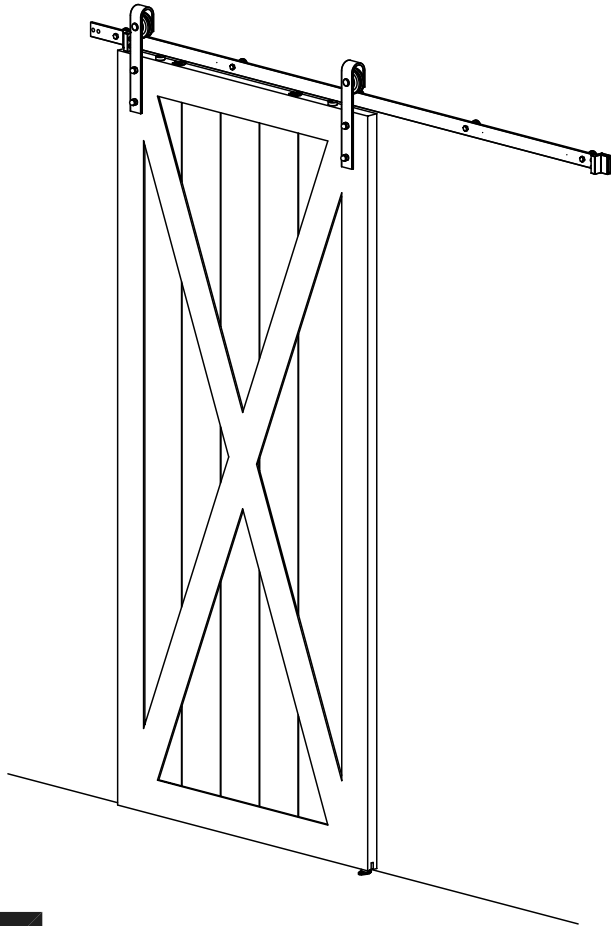


7

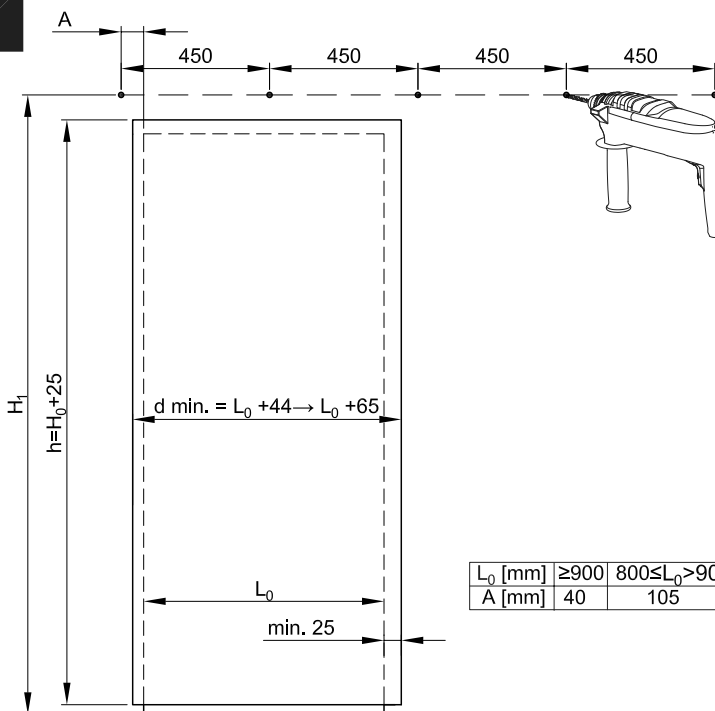




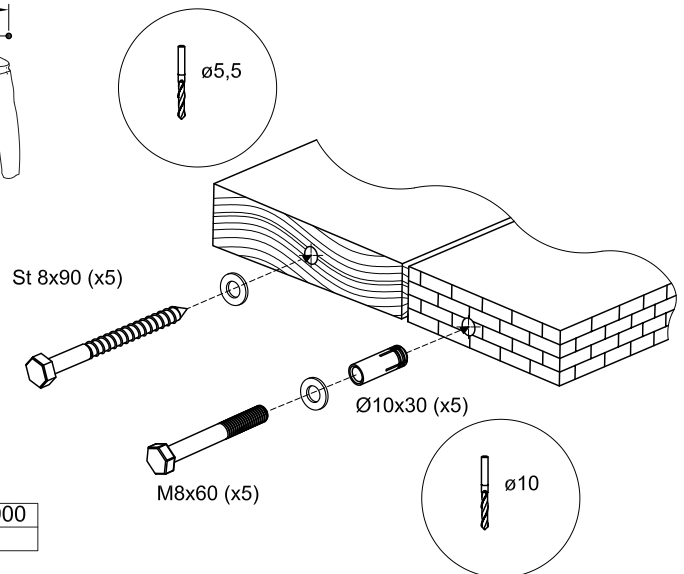
- x1
- x2
- x5
- x2
- x2
- x1
- x4
- x4
- x5
- x5
- x2
- x4
- x4
- x5
- x2



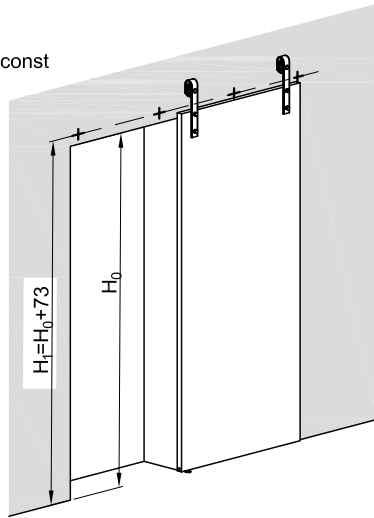
1



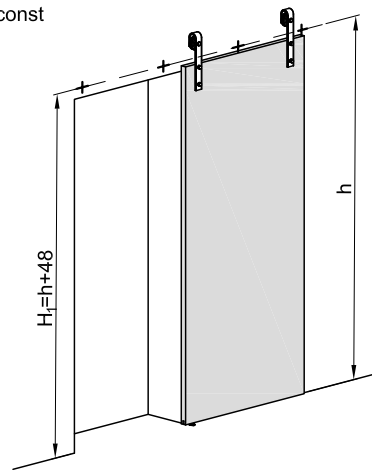
L_0 [mm]	≥ 900	$800 \leq L_0 < 900$
A [mm]	40	105



1° $H_0 = \text{const}$

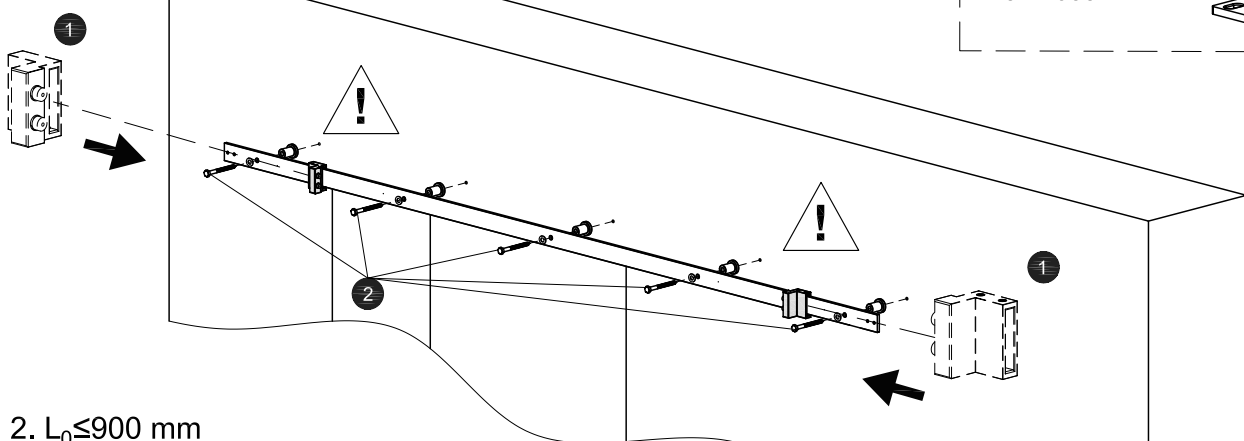


2° $h = \text{const}$

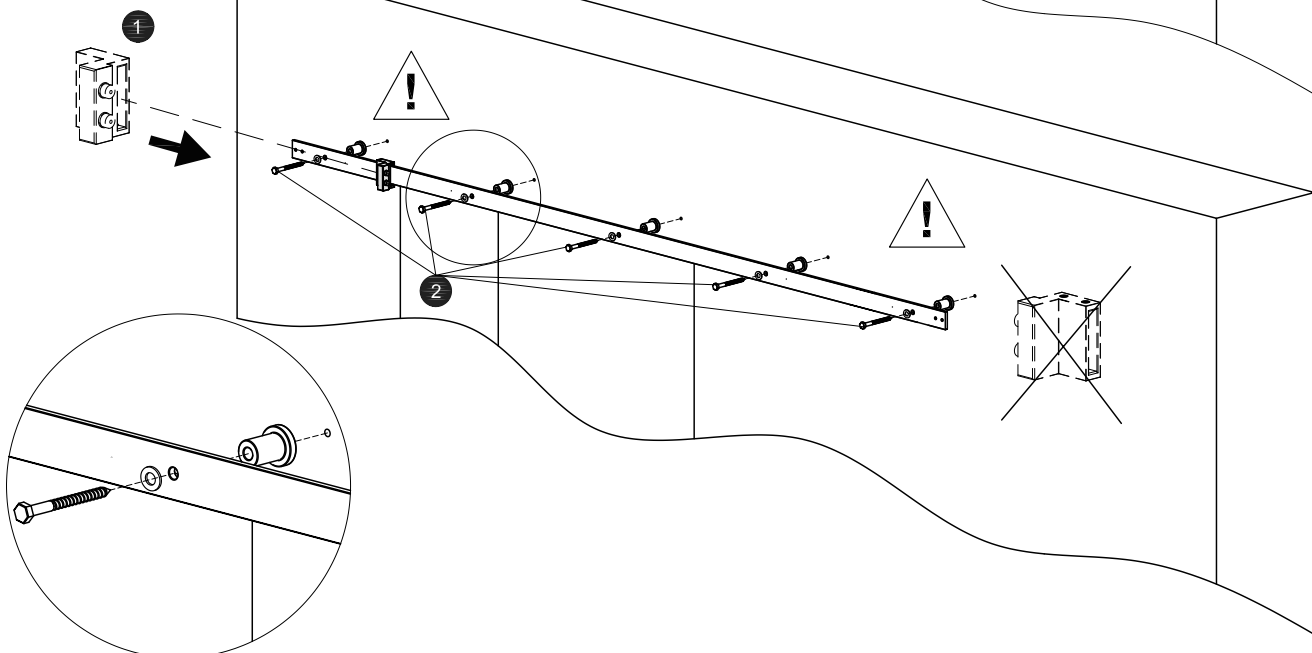


1. $L_0 \geq 800 \text{ mm}$

2



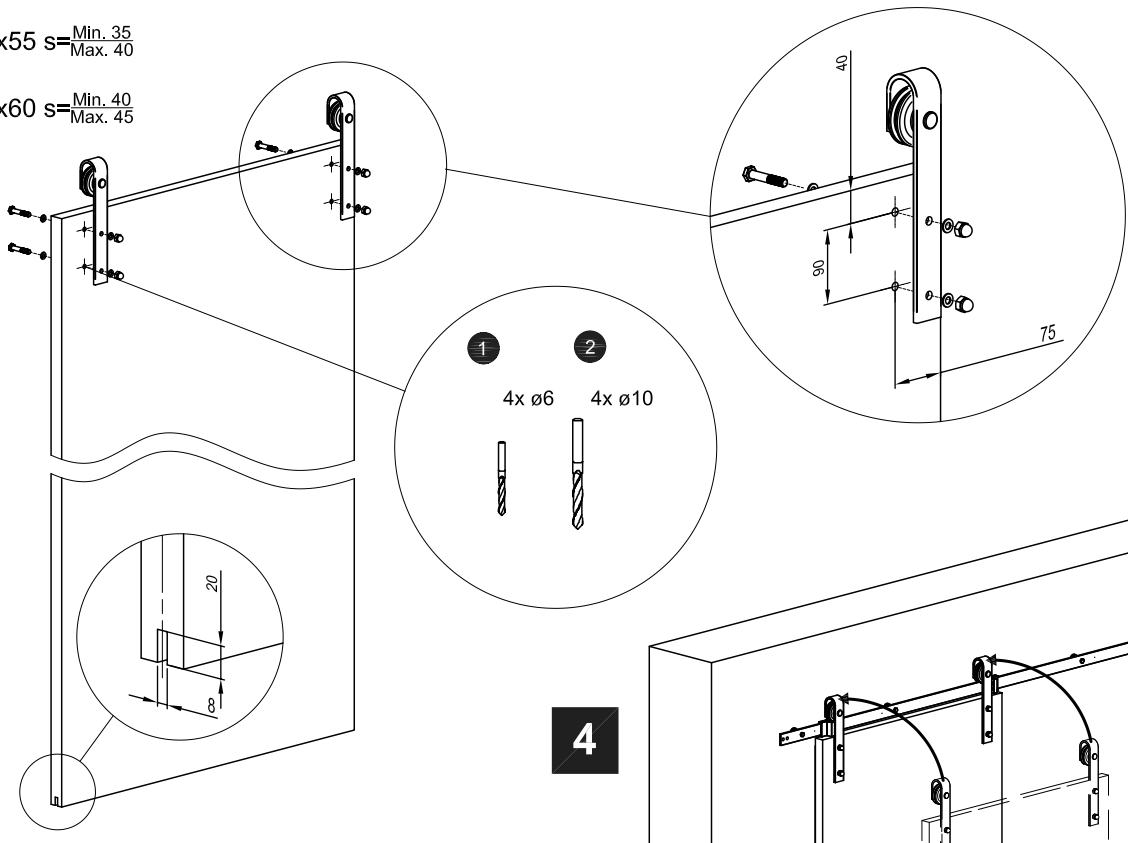
2. $L_0 \leq 900 \text{ mm}$



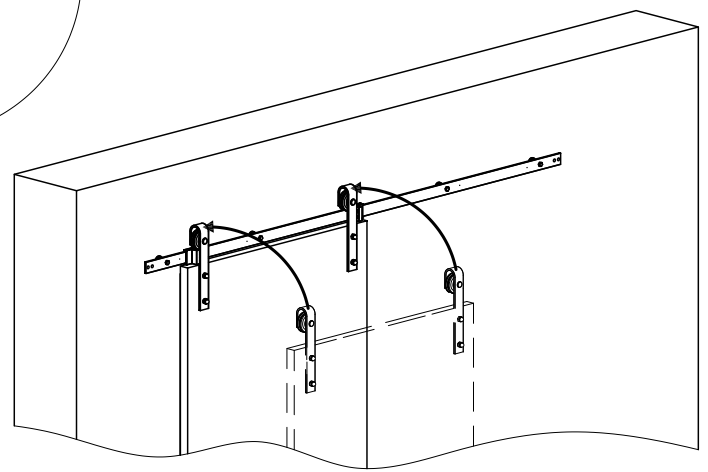
3

M10x55 s= $\begin{matrix} \text{Min. } 35 \\ \text{Max. } 40 \end{matrix}$

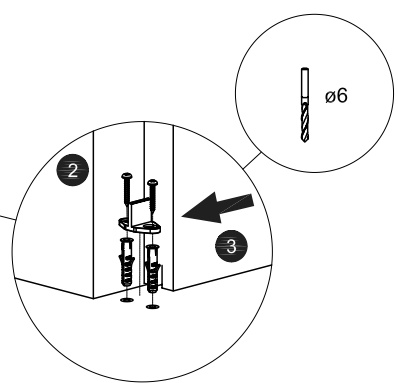
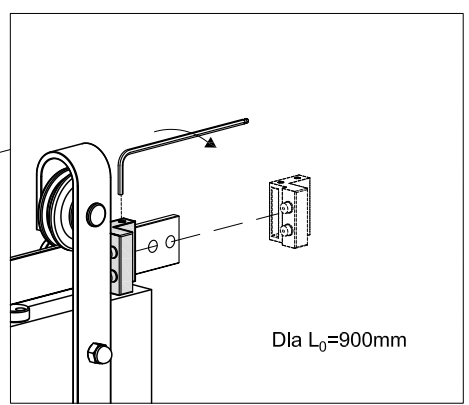
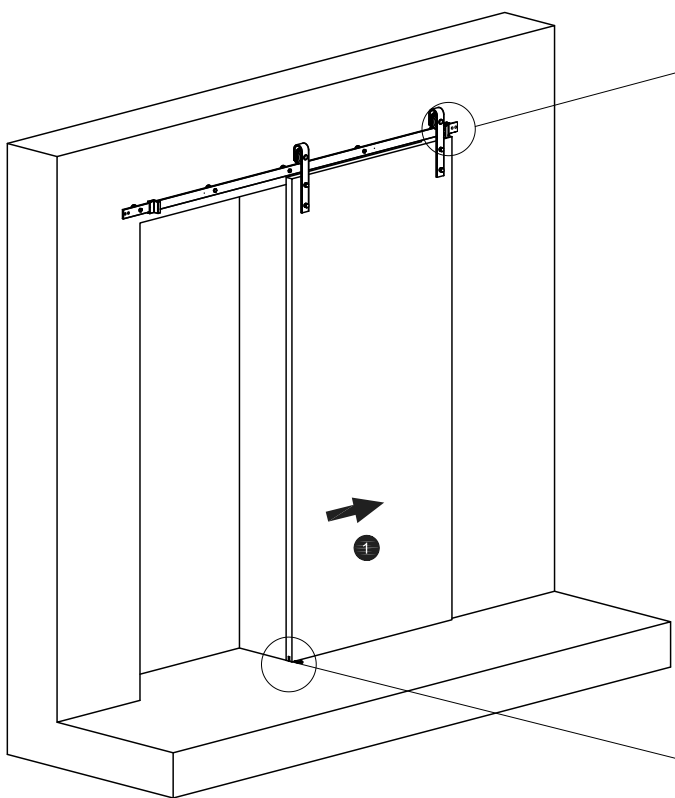
M10x60 s= $\begin{matrix} \text{Min. } 40 \\ \text{Max. } 45 \end{matrix}$



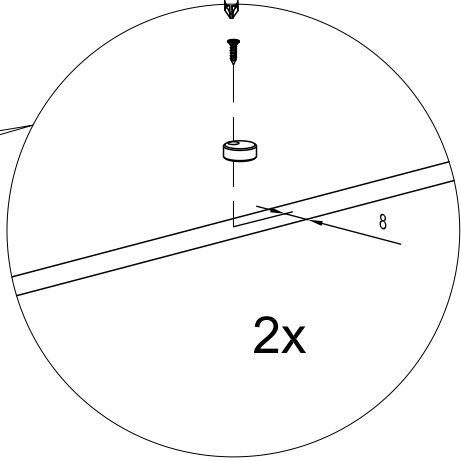
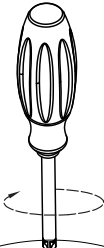
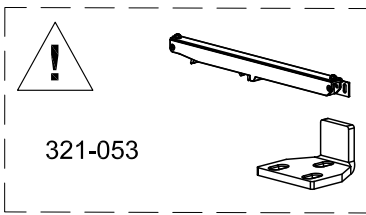
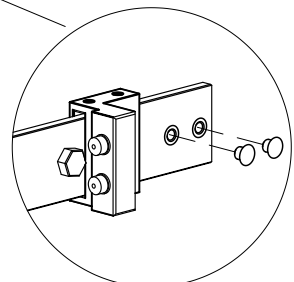
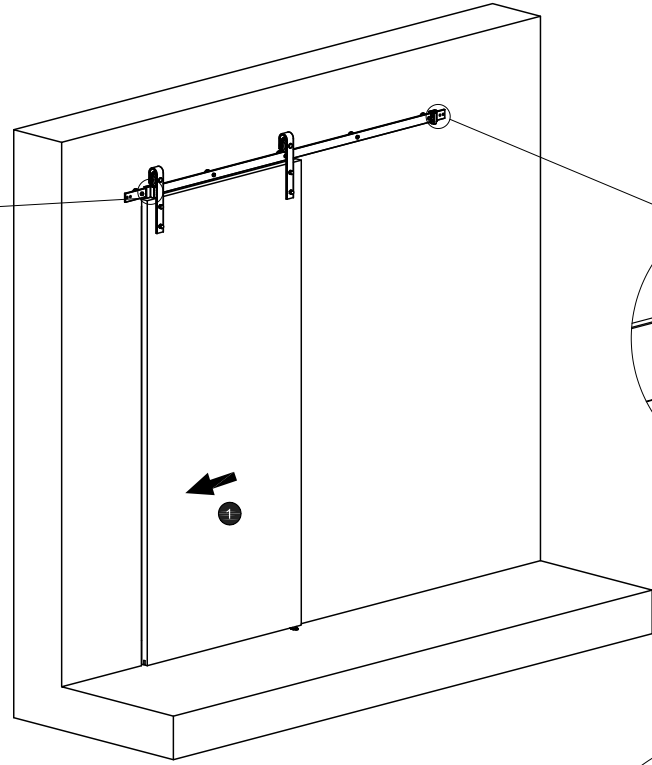
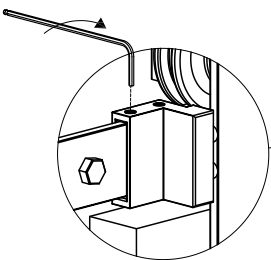
4



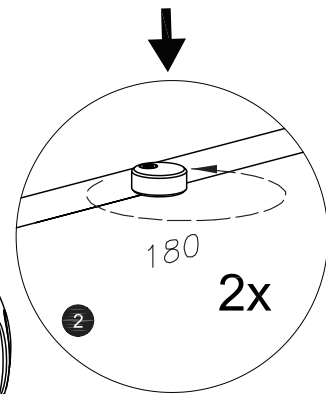
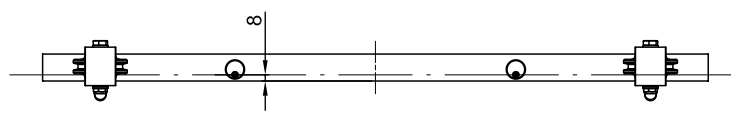
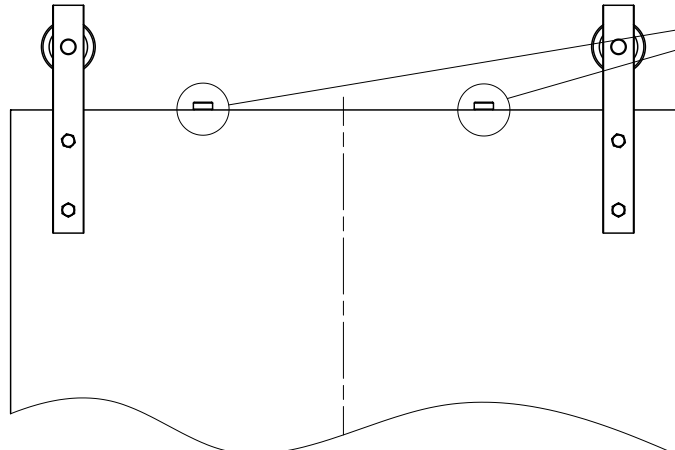
5



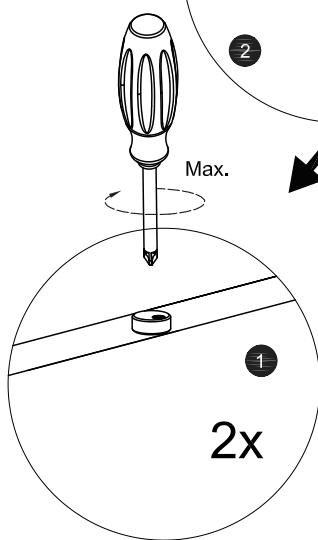
6

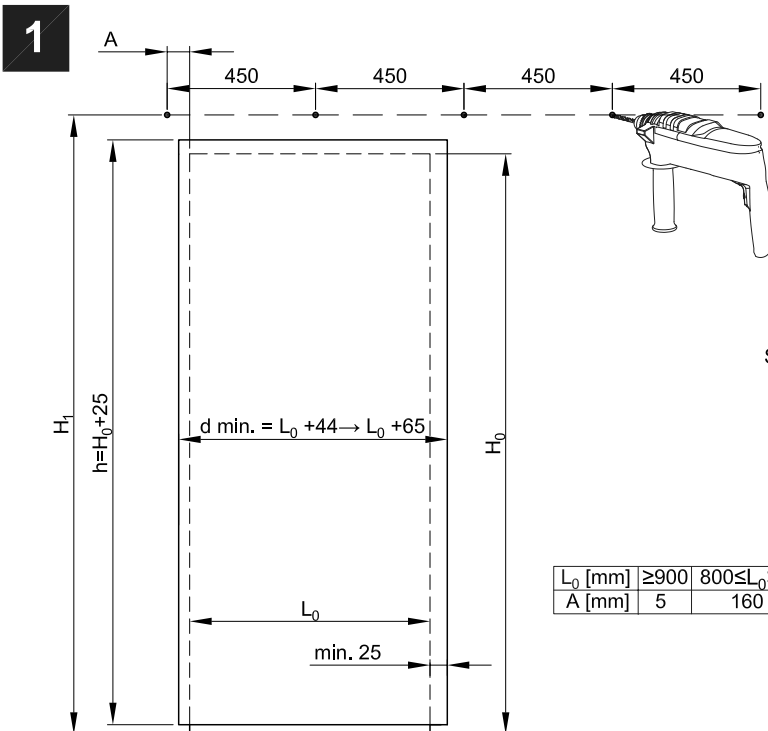
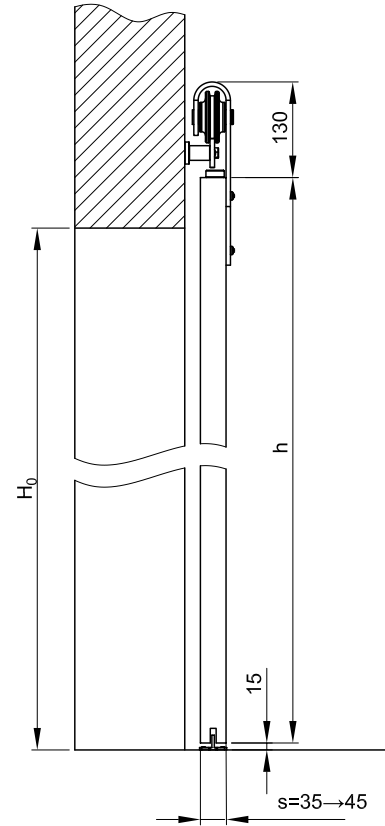
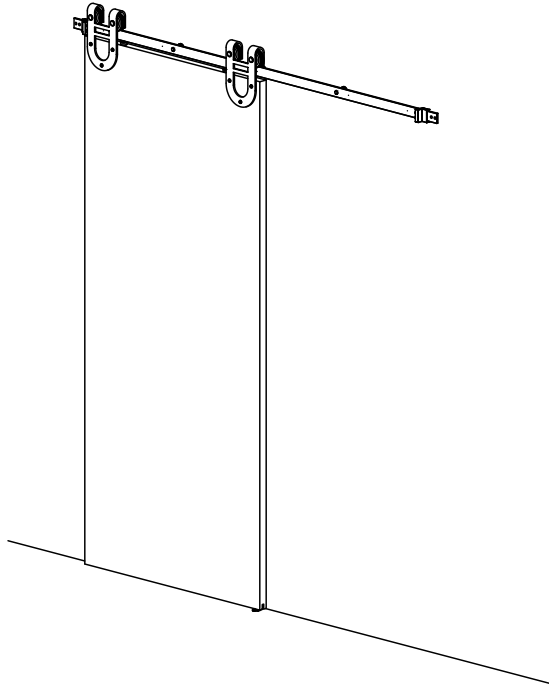
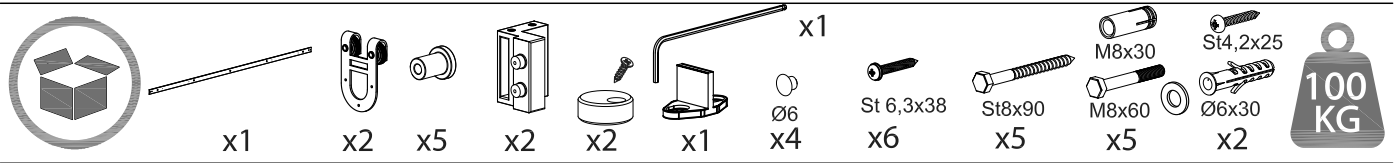


7

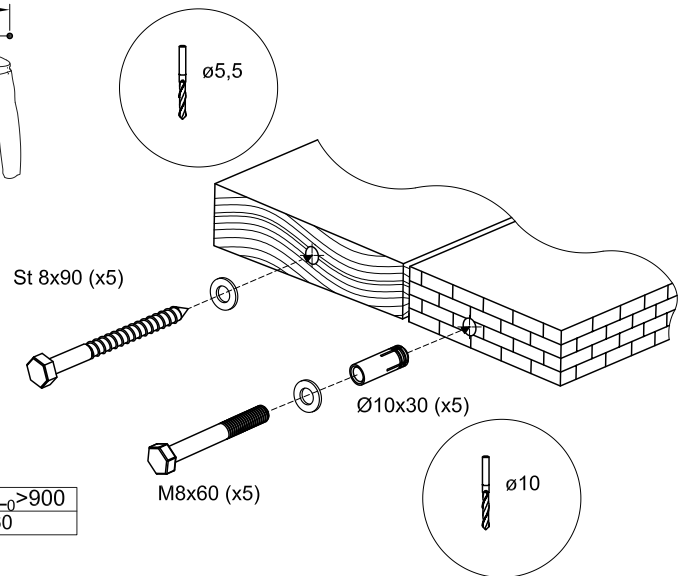


Max.

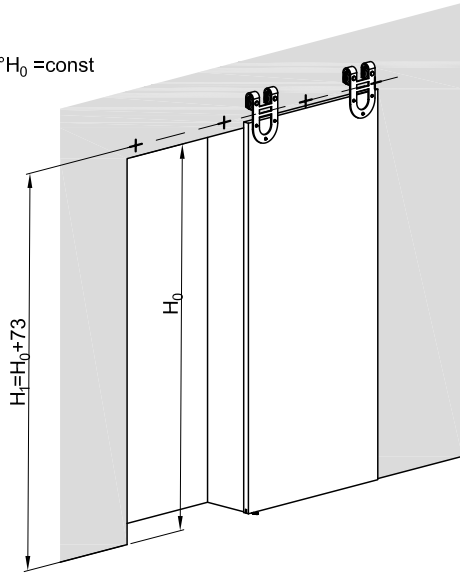




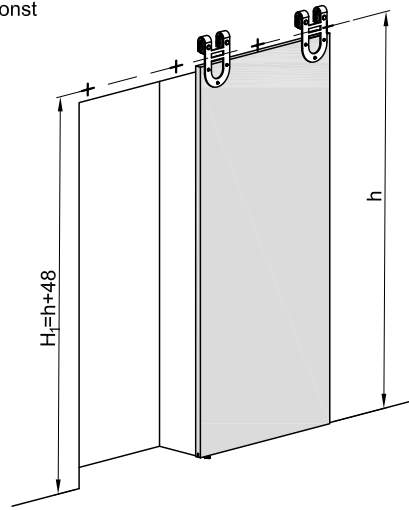
L_0 [mm]	≥ 900	$800 \leq L_0 < 900$
A [mm]	5	160



1° $H_0 = \text{const}$

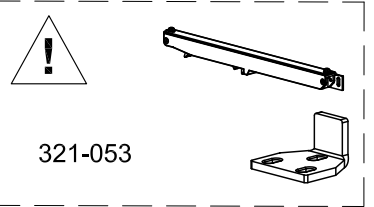
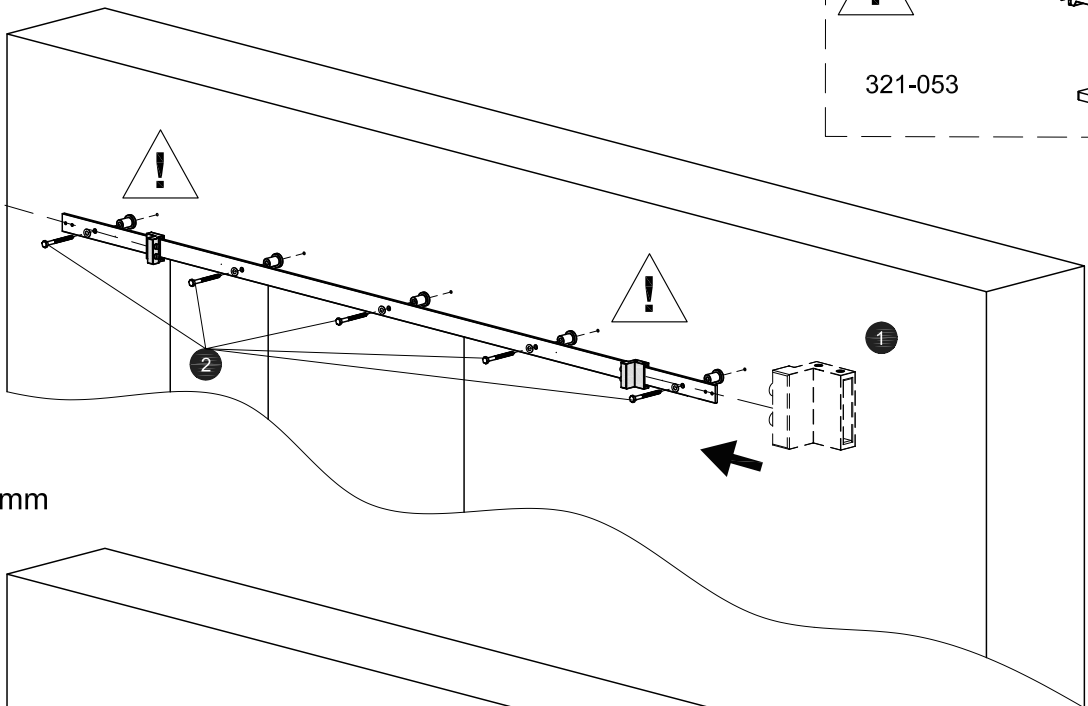
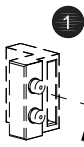


2° $h = \text{const}$

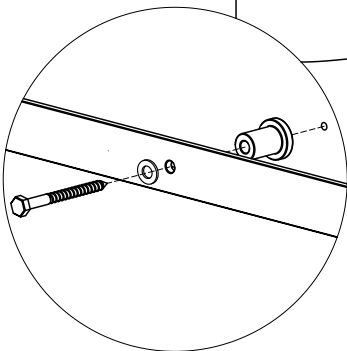
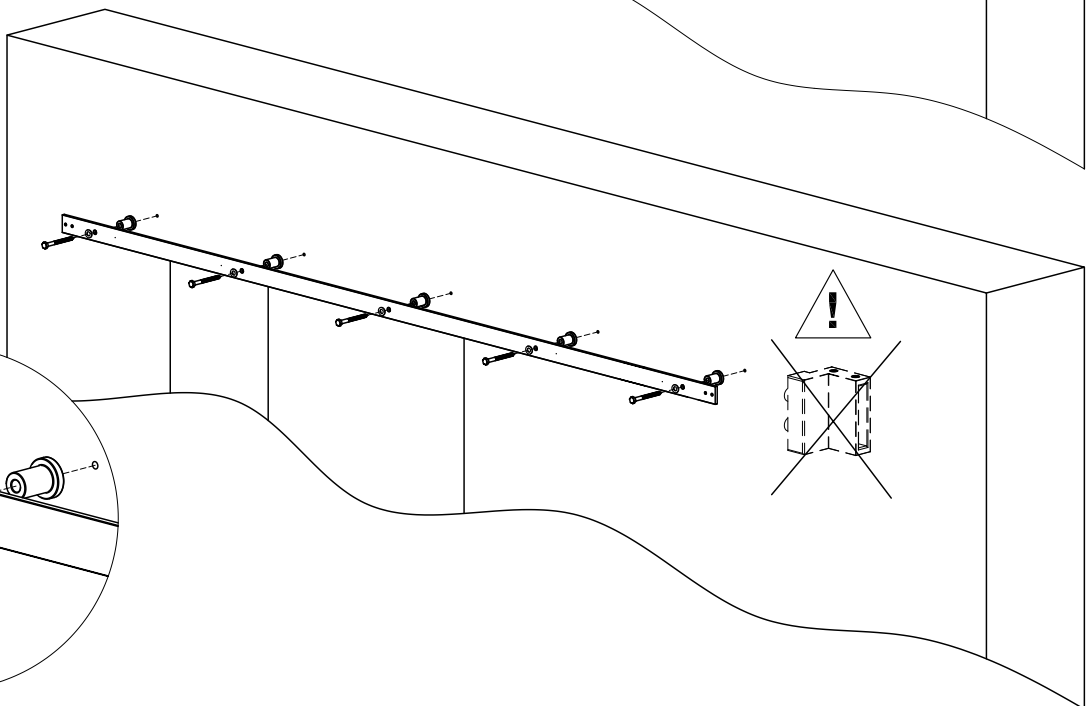
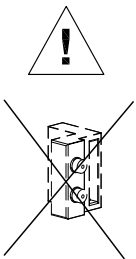


1. $L_0 \geq 800 \text{ mm}$

2

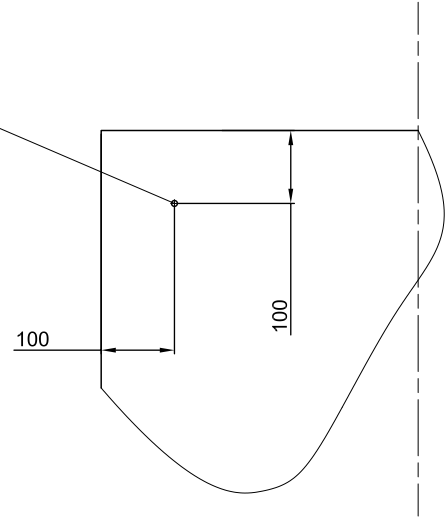
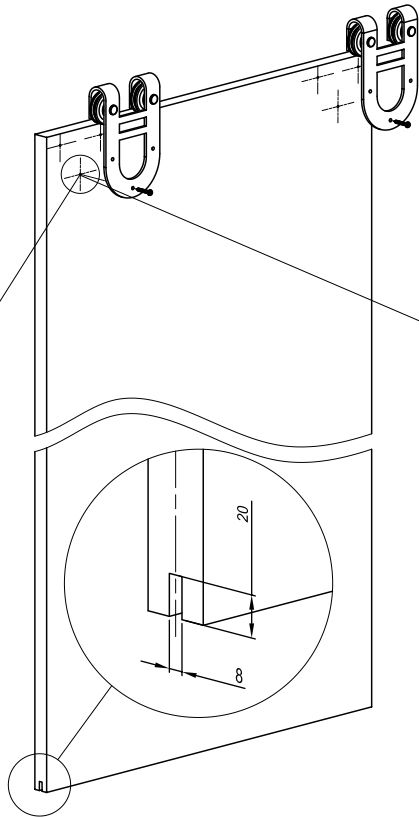
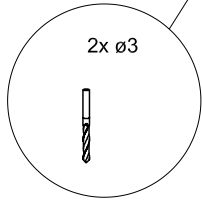
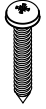


2. $L_0 \leq 900 \text{ mm}$

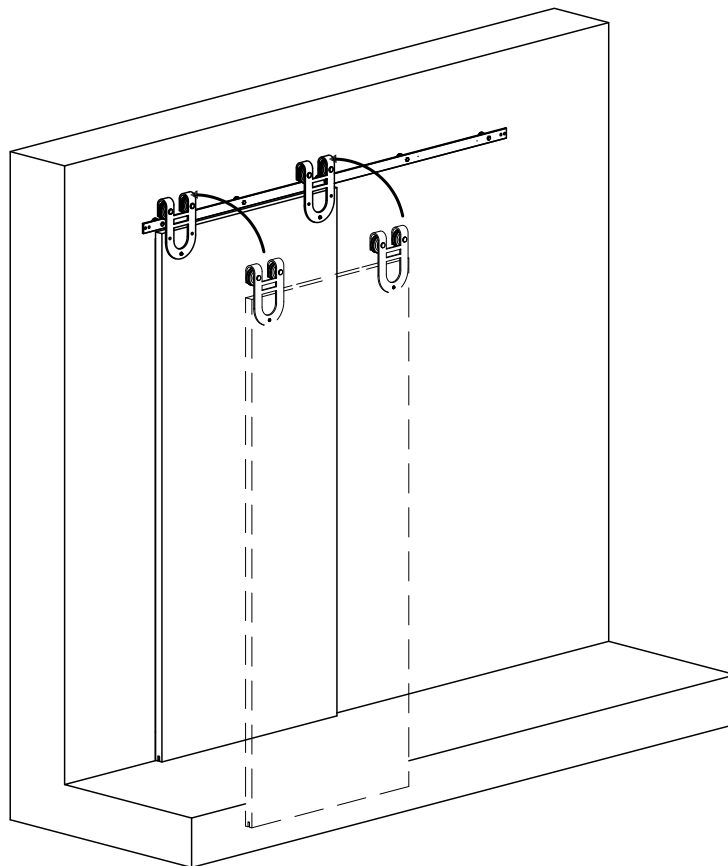


3

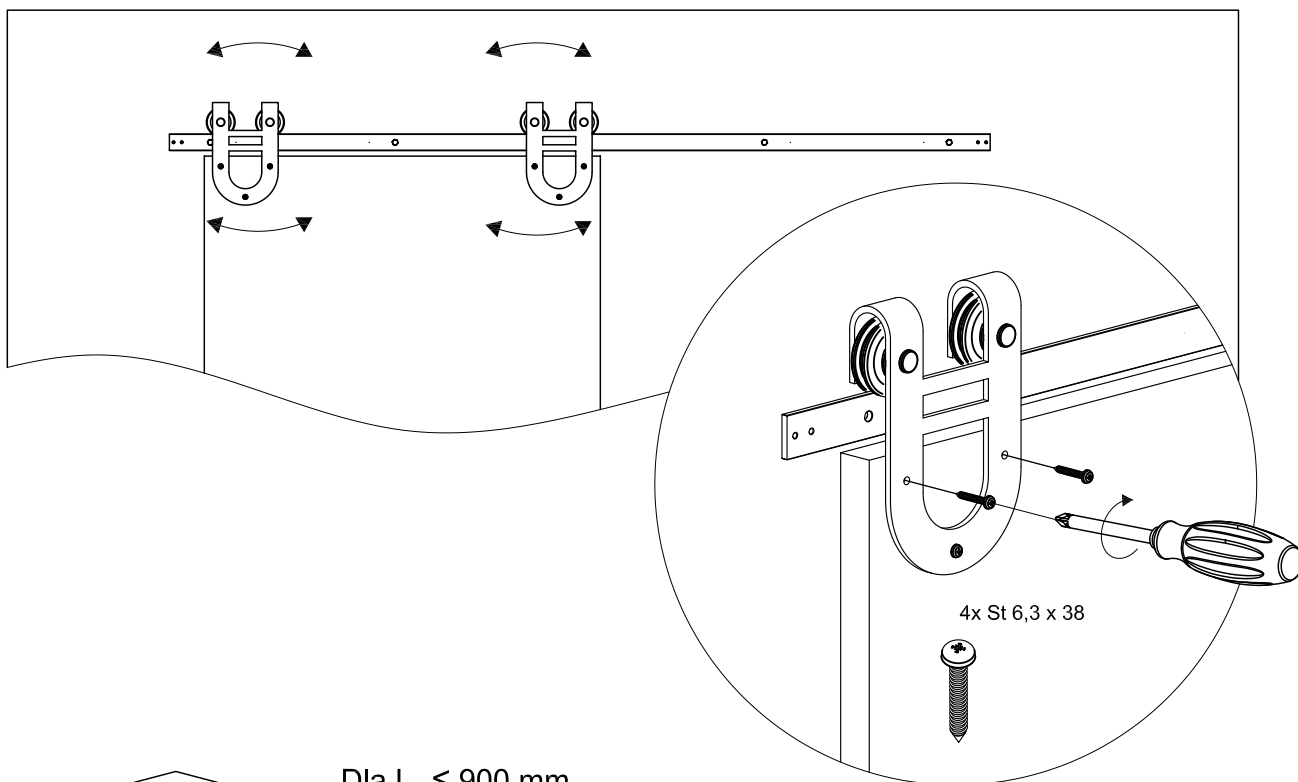
2x St 6,3 x 38



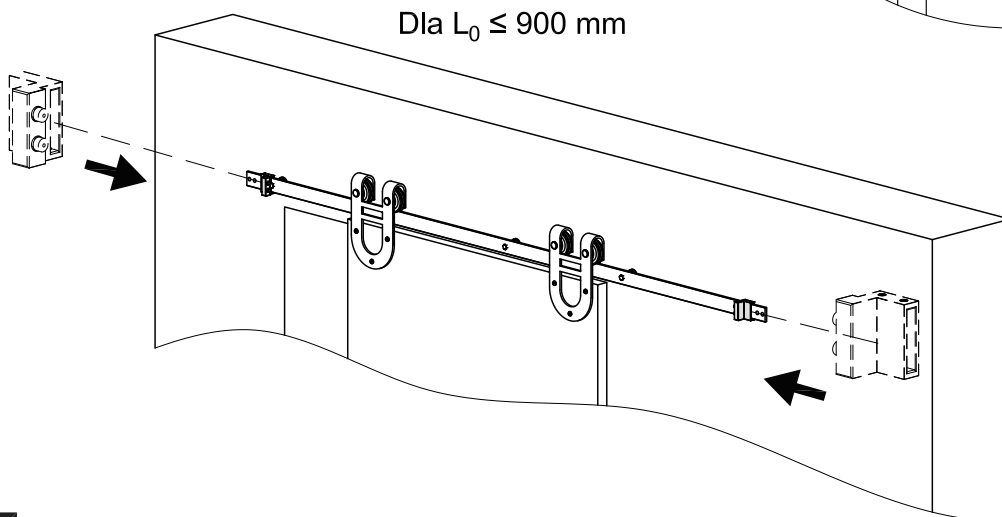
4



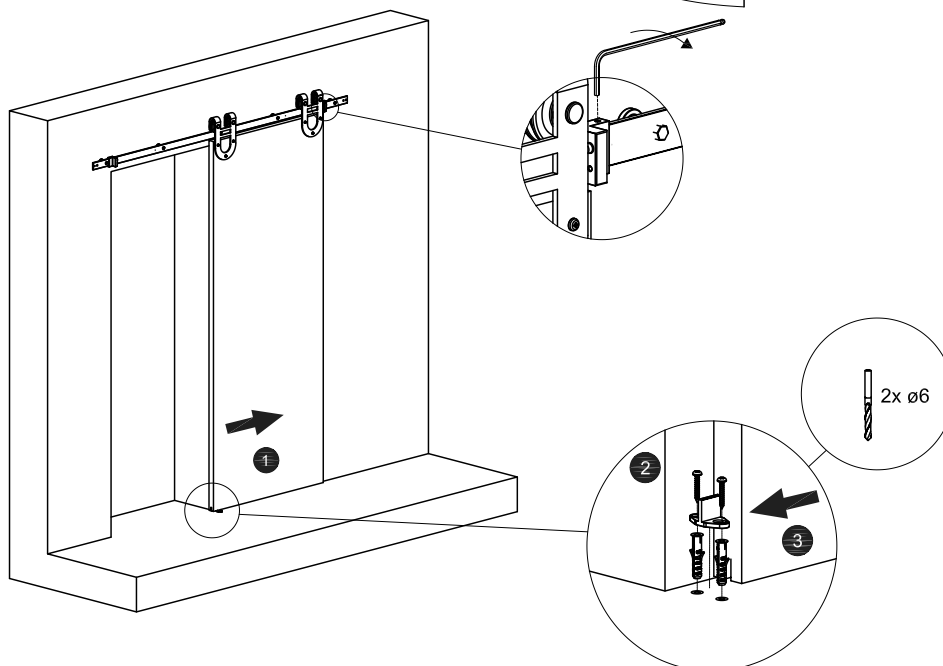
5



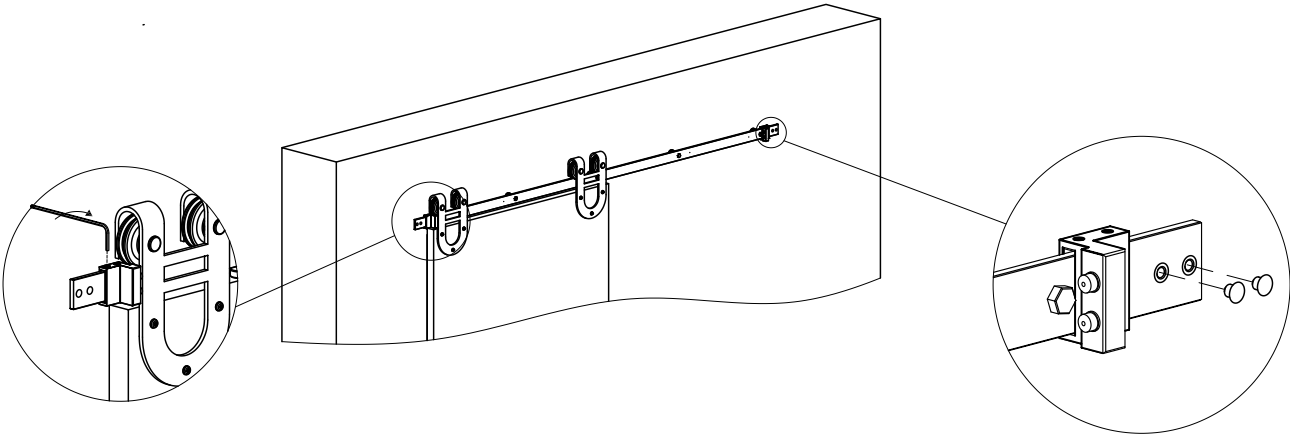
6



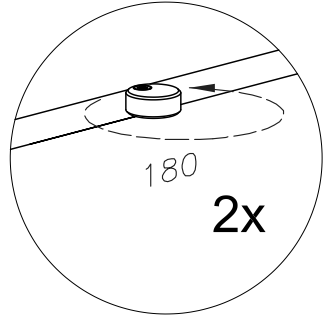
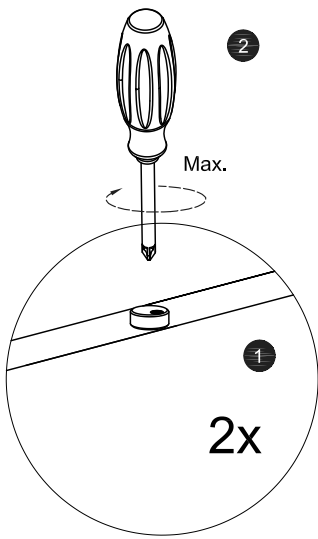
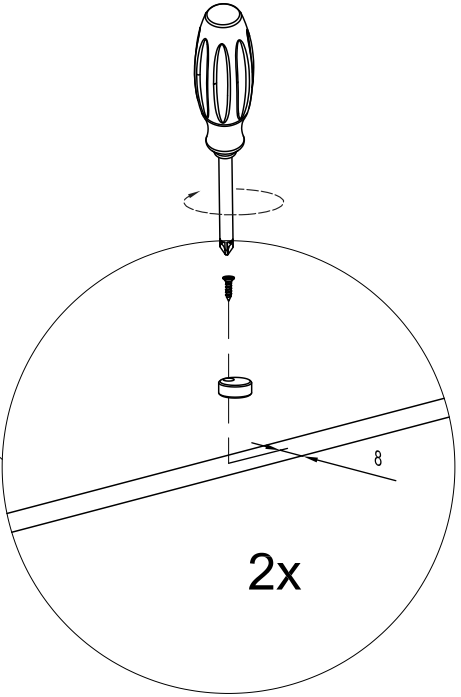
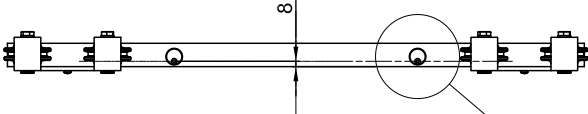
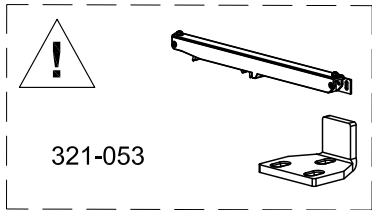
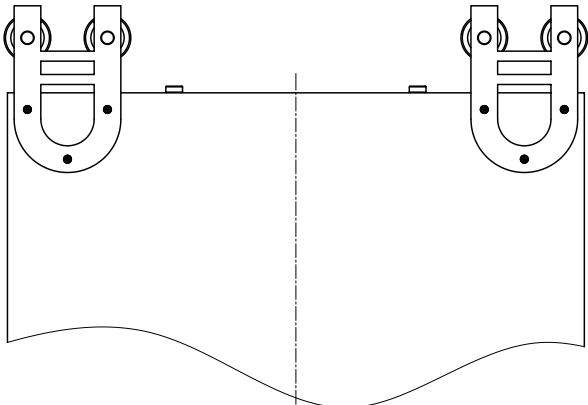
7



8

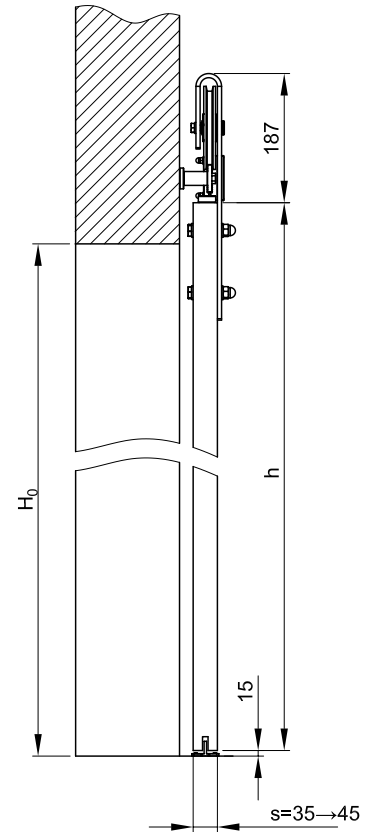
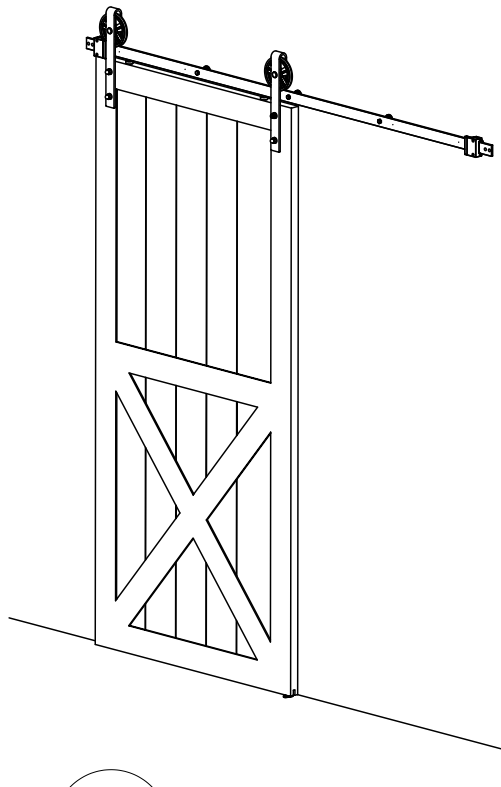


8

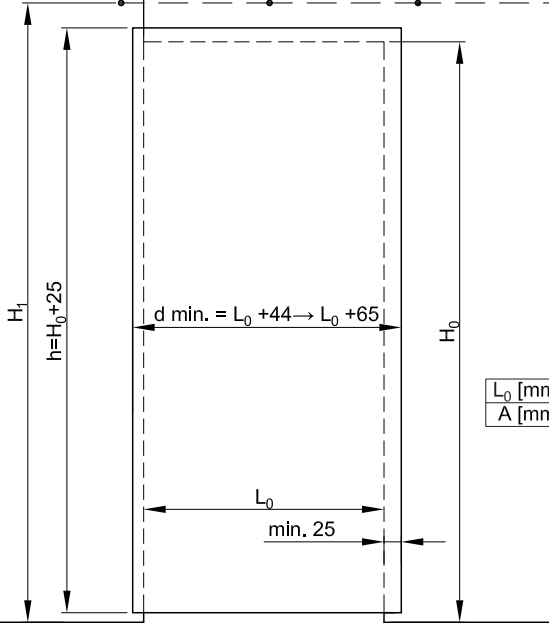
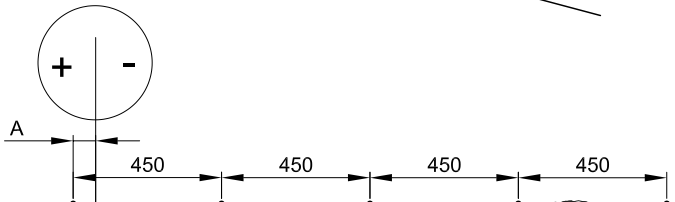




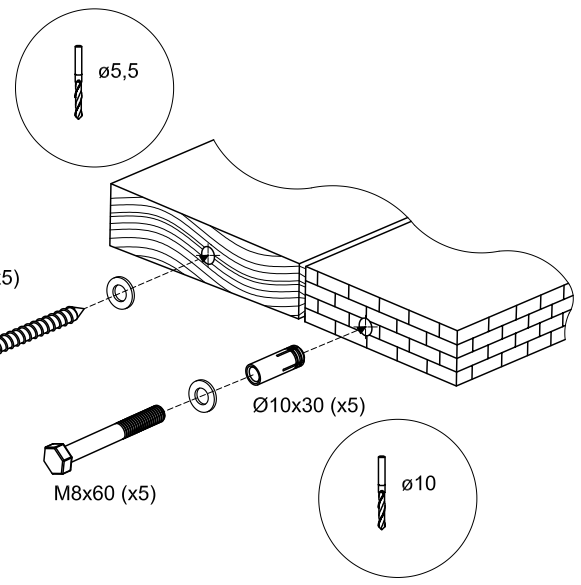
- x1
- x2
- x5
- x2
- x2
- x1
- M10x60 x4
- M10x55 x4
- M10 x4
- St8x90 x5
- M8x30 x5
- M8x60 x5
- St4,2x25 x2
- Ø6x30 x2
- 100 KG



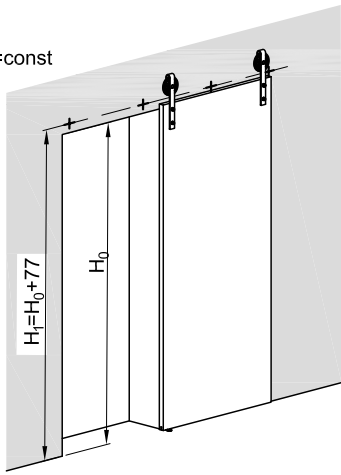
1



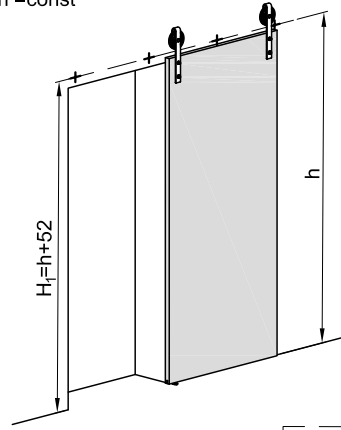
L_0 [mm]	≥ 900	$800 \leq L_0 < 900$
A [mm]	-50	+100



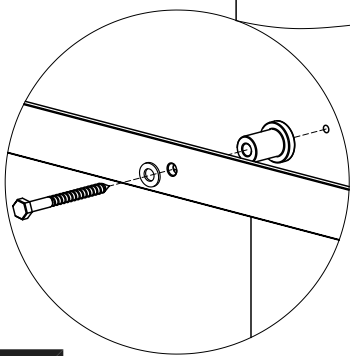
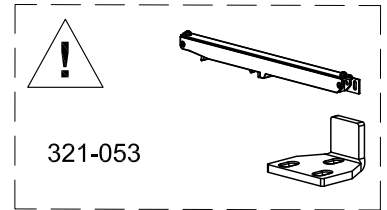
1°H₀ =const



2°h =const



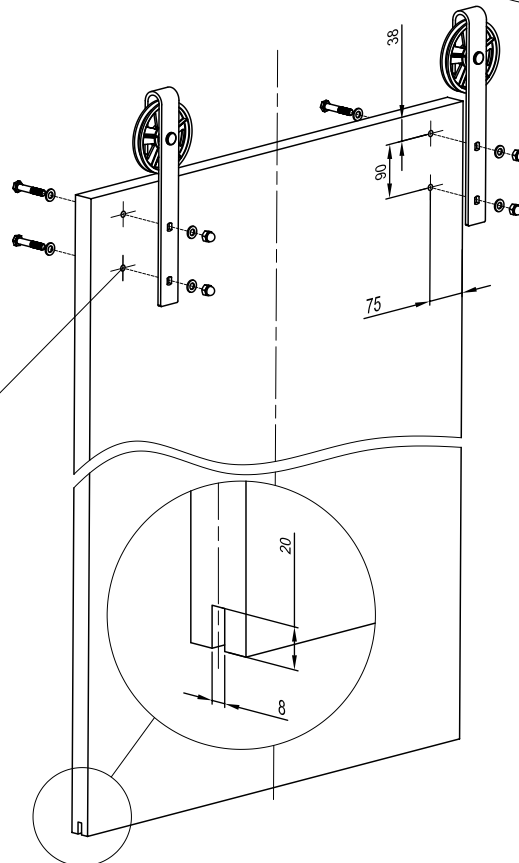
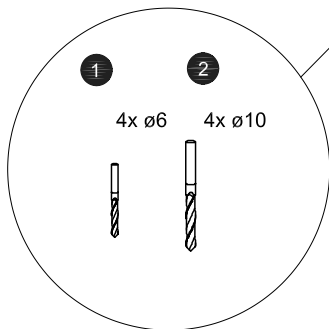
2



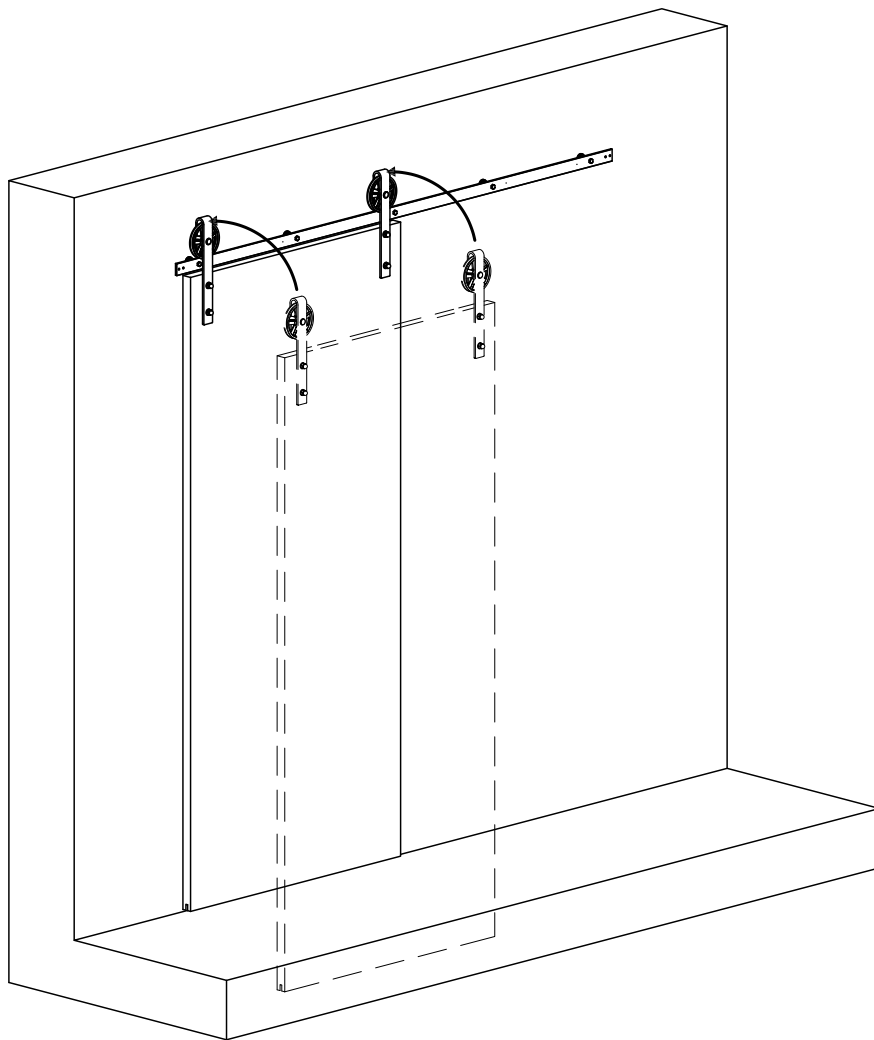
3

M10x55 s=Min. 35
Max. 40

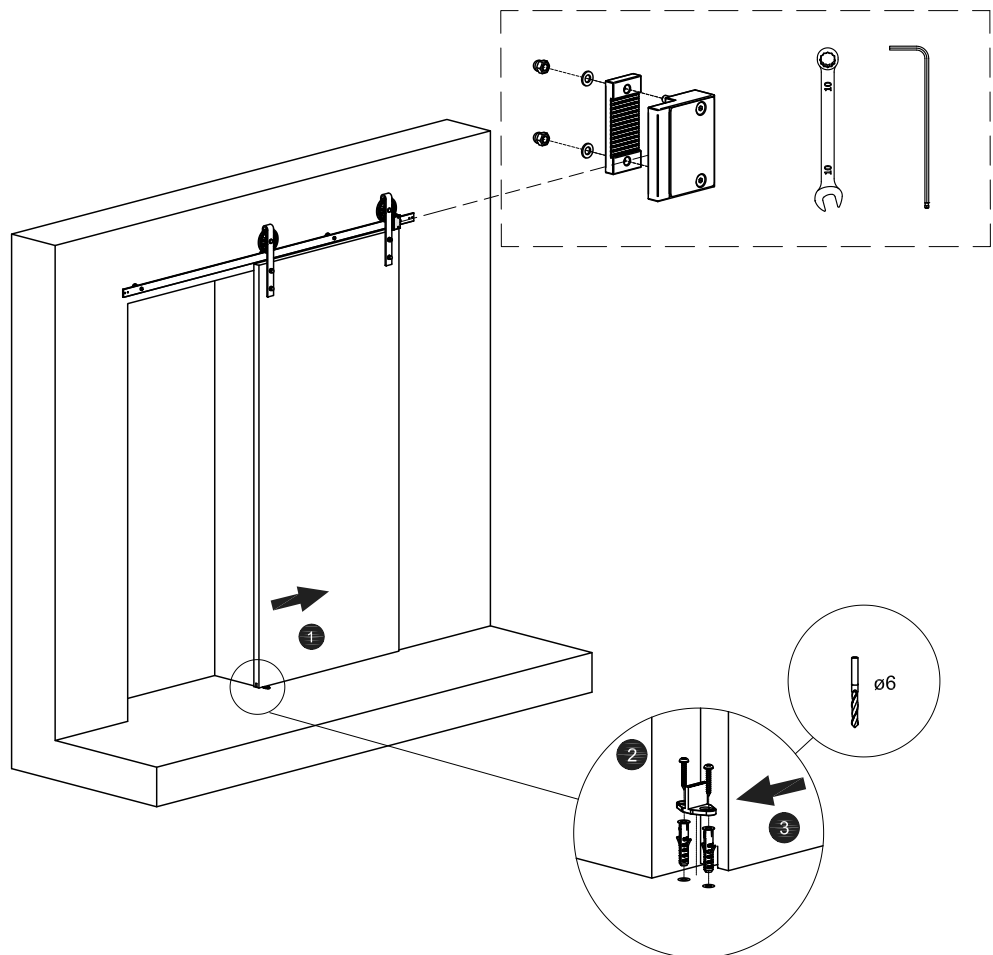
M10x60 s=Min. 40
Max. 45



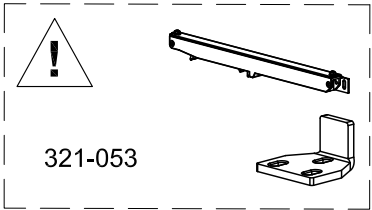
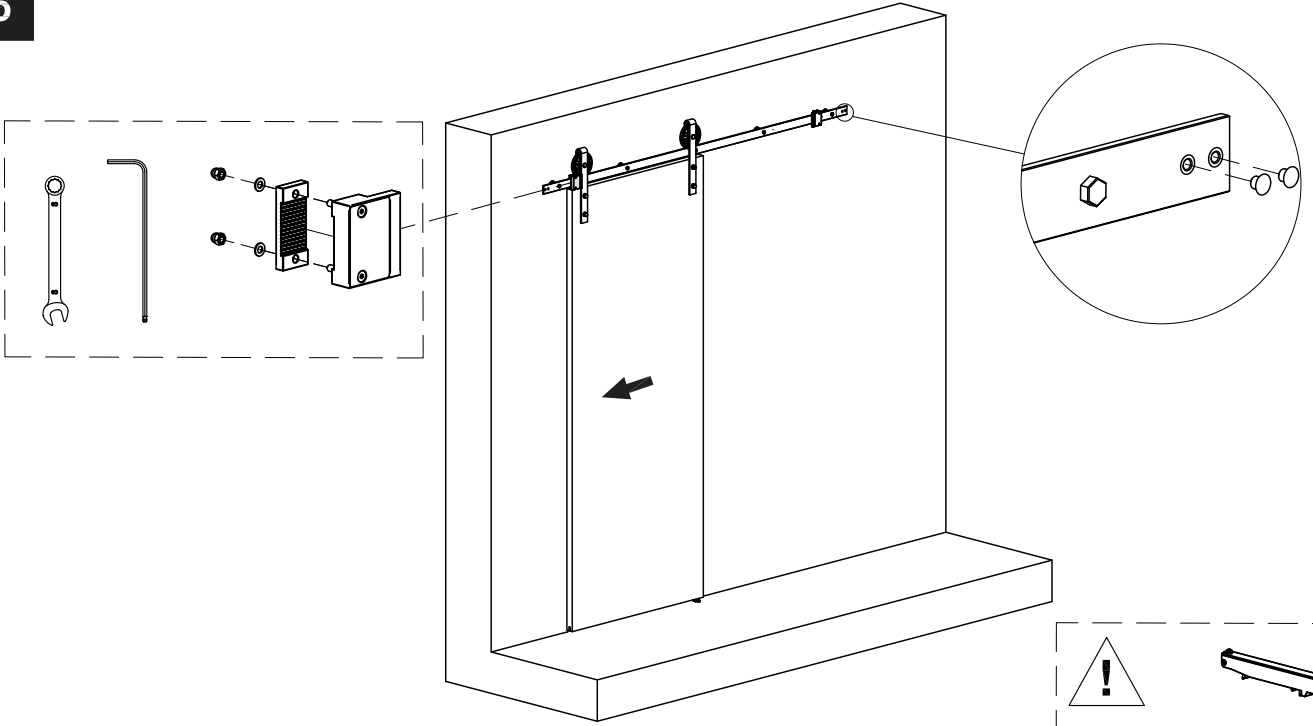
4



5



6



7

